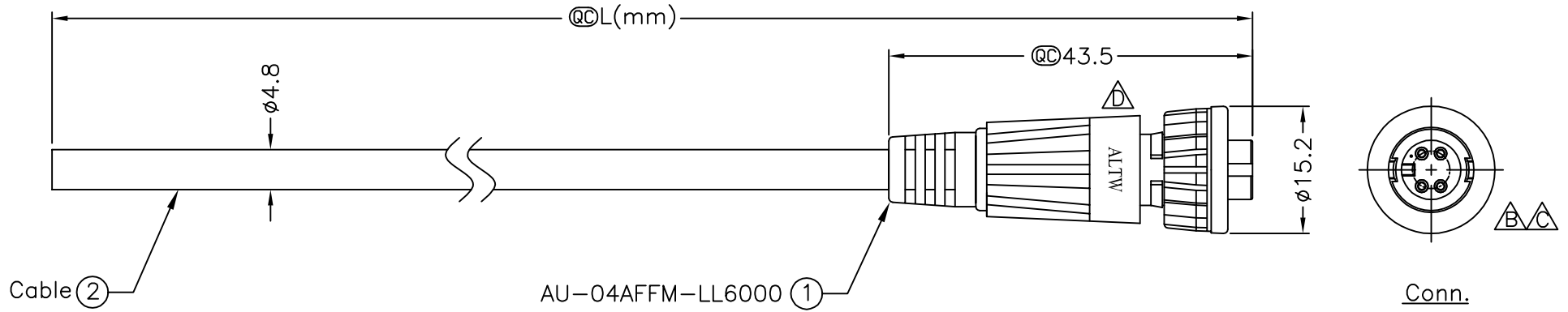
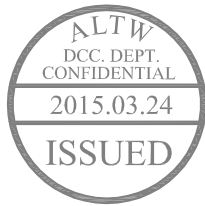


REV.	ECN NO.	DATE	SIGN	DESCRIPTION
B	LEN-8B0643~646	2008/11/14	Li Xiu Zhi	Change View.
C	LEN-0C0253~256	2010/11/25	Ivan Lin	Change View & Frame
D	LEN1530225~228	2014/12/17	Ruru	Change Logo



AU-04AFFM-LL6AXX



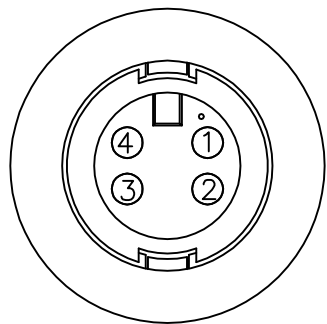
XX :01~99Meter
 01 :01Meter
 02 :02Meters
 ...
 99 :99Meters

Cable Length(L):01~99Meters



Note:

- * @C Important Dimension To Check.
- * Waterproof Rate: IP66
- * Connector: Nylon+GF, Black
- * Female Pin: Copper Alloy, Gold Plated
- * Nut: Nylon+GF, Black
- * Ring: EPDM, Black
- * Cable: UL2464 26AWG*4C+Drain+Al/My PVC Jacket (UV Resistant) OD=4.8mm, Black
- * Cable Length Tolerance: 01M:40mm
 02M~05M:60mm
 06M~10M:100mm
 11M~30M:200mm
 31M~99M:500mm



Pin Assignments
Front View

4	White	白
3	Green	綠
2	Red	紅
1	Brown	棕
Conn.	Wire Color	
	Pin Out	

UNIT:mm	
TOLERANCE	±0.5

TITLE Mini,Cable Lock 4Pin F Conn F Pin.	
SCALE Free	SHEET 1 OF 1
REV. D	SIZE A4
QC :Inspection Item	

Amphenol LTW
 安費諾亮泰企業股份有限公司

ITEM NO	DRAWN BY Ruru	DATE 2014/12/17
DWG NO AU-04AFFM-LL6AXX	CHECKED BY Rita	DATE 2014/12/17
CUSTOMER ALTW	APPROVED BY Win	DATE 2014/12/17

THIS DOCUMENT IS SUBJECT TO CHANGE WITHOUT NOTICE. IT IS CONFIDENTIAL AND A PROPERTY OF Amphenol LTW. DISCLOSURE TO THIRD PARTY HAS TO BE AUTHORIZED BY Amphenol LTW.