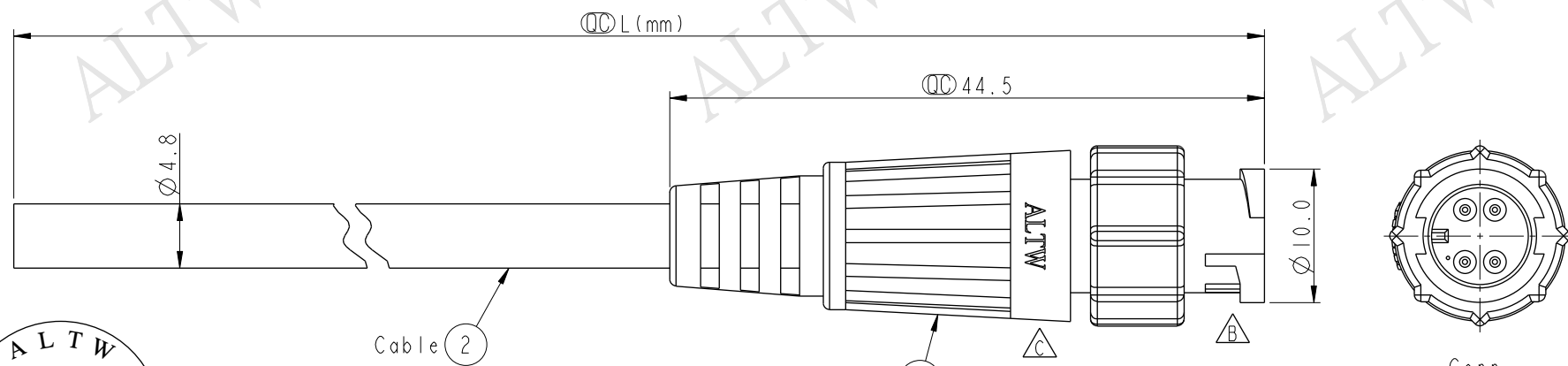


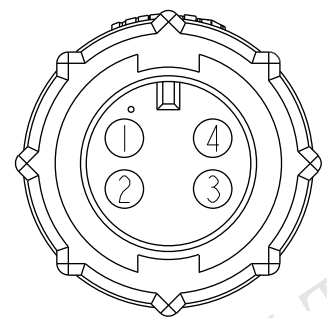
THIS DOCUMENT IS SUBJECT TO CHANGE WITHOUT NOTICE. IT IS CONFIDENTIAL AND A PROPERTY OF Amphenol LTW. DISCLOSURE TO THIRD PARTY HAS TO BE AUTHORIZED BY Amphenol LTW.

REV.	ECN NO.	DATE	SIGN	DESCRIPTION
B	LEN-980046~49	2009/07/22	Prune	Update the drawing view
C	LEN1530014-017	2015/02/10	Vicky	Update Logo



ALTW
 CONFIDENTIAL
 2015-02-10
 R&D DEPT.

ALTW
 DCC. DEPT.
 CONFIDENTIAL
 2015.03.04
 ISSUED



Pin Assignments
Front View

4	White	白	△B
3	Green	綠	
2	Red	紅	
1	Brown	棕	
Conn.	Wire Color		
	Pin Out		

AU-04AMMM-LL6AXX
 XX: 01~99Meters
 01: 01Meter
 02: 02Meters
 :
 :
 99: 99Meters
 Cable Length(L): 01~99Meters

Note:

- * C Important Dimension
- * Waterproof Rate: IP66
- * Connector: Nylon+GF, Black
- * Male Pin: Copper Alloy, Gold Plated
- * Cable: UL2464 26AWG*4C+Drain+Al/My, Black, PVC Jacket, UV Resistant, OD4.8mm
- * Cable Length Tolerance:
 - 01M: ±40mm
 - 02M~05M: ±60mm
 - 06M~10M: ±100mm
 - 11M~30M: ±200mm
 - 31M~99M: ±500mm

UNIT:mm
 TOLERANCE
 ±0.5 mm

TITLE			
Mini Cable Lock 4Pin M Conn M Pin			
SCALE	SIZE	SHEET	OF
2:1	A4	1	1
REV.	WC-REV.	C : Inspection item	
C	A.1		

Amphenol LTW
 安費諾亮泰企業股份有限公司

ITEM NO	DRAWN BY	DATE
	Vicky	2015-02-10
DWG NO	CHECKED BY	DATE
AU-04AMMM-LL6AXX	Rita	2015-02-10
CUSTOMER	APPROVED BY	DATE
ALTW	Lion	2015-02-10