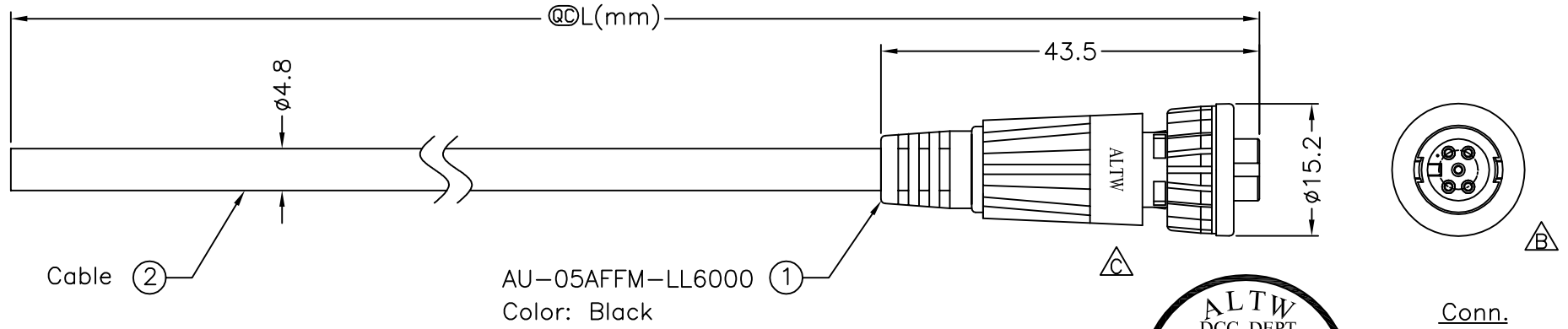


REV.	ECN NO.	DATE	SIGN	DESCRIPTION
B	LEN-0C0288~290	2010/11/26	Ivan Lin	Change View & Frame
C	LEN15C0353~356	2015/12/08	Ruru	Change Logo



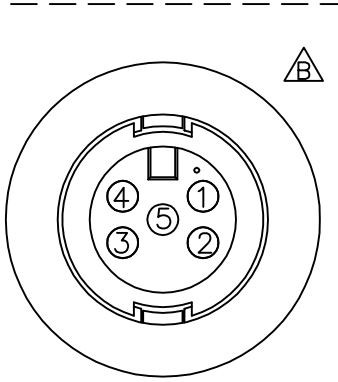
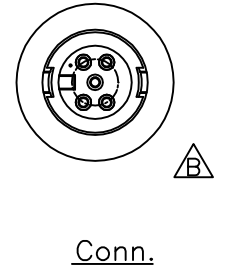
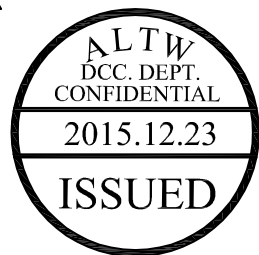
Cable ②

AU-05AFFM-LL6000 ①  
Color: Black

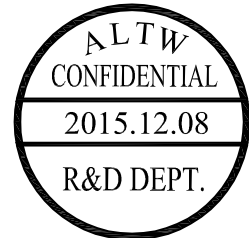
AU-05AFFM-LL6AXX

XX:01~99Meter  
 01:01Meter  
 02:02Meters  
 :  
 :  
 99:99Meters

Cable Length(L):01~99Meters



5	Yellow	黃
4	White	白
3	Red	紅
2	Brown	棕
1	Green	綠
Conn.	Wire Color	
	Pin Out	



- Note:
- \* @C Important Dimension To Check.
  - \* Waterproof Rate: IP66
  - \* Housing:Nylon+GF, Black
  - \* Female Pin: Copper Alloy, Gold Plated
  - \* Cable: UL2464 26AWG\*5C+Drain+Al/My PVC Jacket (UV Resistant) OD=4.8mm, Black
  - \* Cable Length Tolerance:01M:±40mm  
 02M~05M:±60mm  
 06M~10M:±100mm  
 11M~30M:±200mm  
 31M~99M:±500mm

UNIT:mm	
TOLERANCE	±0.5

TITLE	Mini Cable Lock 5Pin F Conn F Pin	
SCALE	Free	SHEET 1 OF 1
REV. C	SIZE A4	@C :Inspection Item

**Amphenol LTW**  
 安費諾亮泰企業股份有限公司

ITEM NO	DRAWN BY Ruru	DATE 2015/12/08
DWG NO AU-05AFFM-LL6AXX	CHECKED BY Rita	DATE 2015/12/08
CUSTOMER ALTW	APPROVED BY Lisa	DATE 2015/12/08

THIS DOCUMENT IS SUBJECT TO CHANGE WITHOUT NOTICE. IT IS CONFIDENTIAL AND A PROPERTY OF Amphenol LTW. DISCLOSURE TO THIRD PARTY HAS TO BE AUTHORIZED BY Amphenol LTW.

F  
E  
D  
C  
B  
A

1 2 3 4 5 6 7 8