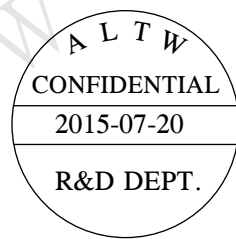
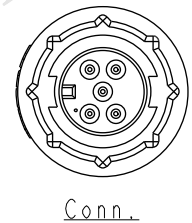
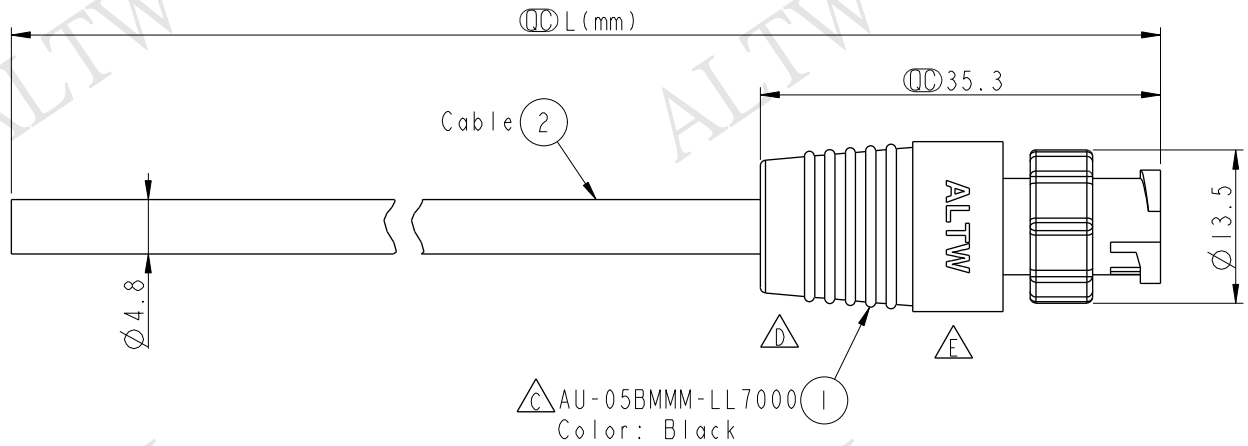
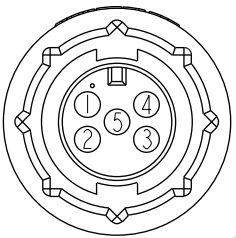


REV.	ECN NO.	DATE	SIGN	DESCRIPTION
C	LEN-040122	2010/04/14	Rex	Conn. Change
D	LEN1110663-666	2011/01/21	Vicky	Mini Size Molding 外觀變更
E	LEN1580071-074	2015/07/20	Vicky	Update Logo



AU-05BMMM-LL7AXX
 XX: 01~99Meters
 01: 01Meter
 02: 02Meters
 ...
 99: 99Meters
 Cable Length(L): 01~99Meters



Pin Assignments
Front View

5	Yellow	黃
4	White	白
3	Red	紅
2	Brown	棕
1	Green	綠
Conn.	Wire Color	
		$\triangle B$ Pin Out

Note:
 * CC Important Dimension
 * Waterproof Rate: IP67
 * Connector: Nylon+GF, Black
 * Male Pin: Copper Alloy, Gold Plated
 * Cable: UL2464 26AWG*5C+D+A, Black, PVC Jacket, UV Resistant, OD=4.8mm
 $\triangle B$ * Cable Length Tolerance: 01M: ± 40 mm
 02M~05M: ± 100 mm
 06M~10M: ± 100 mm
 11M~30M: ± 200 mm
 31M~99M: ± 500 mm

UNIT:mm TOLERANCE ± 0.5 mm	TITLE Mini, Cable Lock 5P M Conn M Pin		Amphenol LTW 安費諾亮泰企業股份有限公司		ITEM NO	DRAWN BY Vicky	DATE 2015-07-20
	SCALE 3:2	SIZE A4			SHEET 1	OF 1	DWG NO AU-05BMMM-LL7AXX
	REV. E	WC-REV. A.1	CC : Inspection item		CUSTOMER ALTW	APPROVED BY Lion	DATE 2015-07-20

THIS DOCUMENT IS SUBJECT TO CHANGE WITHOUT NOTICE. IT IS CONFIDENTIAL AND A PROPERTY OF Amphenol LTW. DISCLOSURE TO THIRD PARTY HAS TO BE AUTHORIZED BY Amphenol LTW.