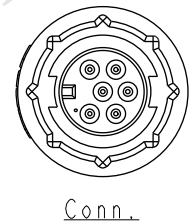
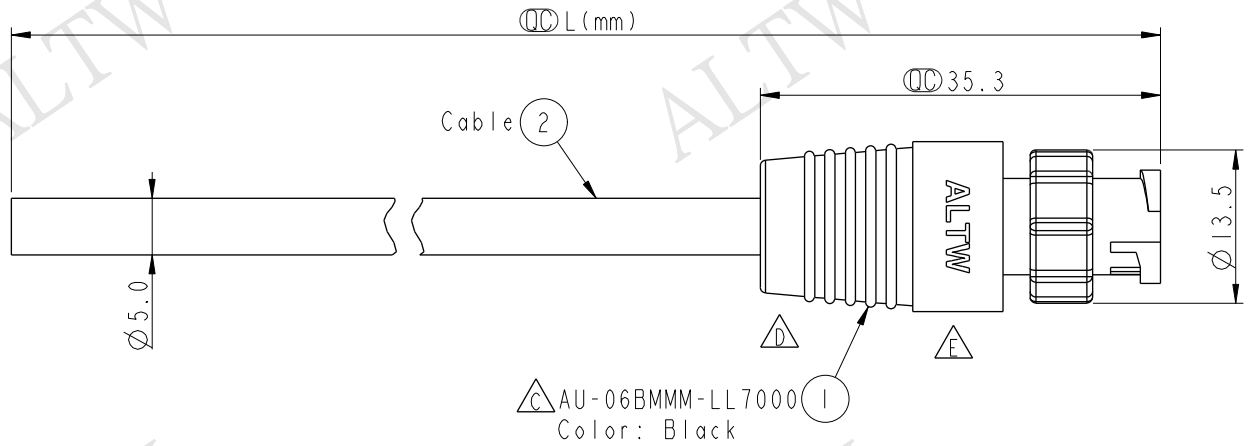
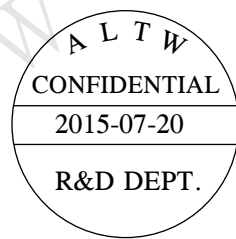


THIS DOCUMENT IS SUBJECT TO CHANGE WITHOUT NOTICE. IT IS CONFIDENTIAL AND A PROPERTY OF Amphenol LTW. DISCLOSURE TO THIRD PARTY HAS TO BE AUTHORIZED BY Amphenol LTW.

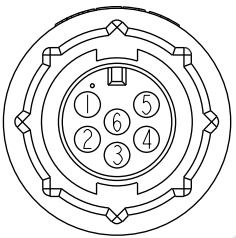
REV.	ECN NO.	DATE	SIGN	DESCRIPTION
C	LEN-040126	2010/04/14	Rex	Conn. Change
D	LEN1110668-671	2011/01/21	Vicky	Mini Size Molding 外觀變更
E	LEN1580076-079	2015/07/20	Vicky	Update Logo



Conn.



AU-06BMMM-LL7AXX  
 XX: 01~99Meters  
 01: 01Meter  
 02: 02Meters  
 ...  
 99: 99Meters  
 Cable Length(L): 01~99Meters



Pin Assignments Front View

6	Gray	灰
5	Yellow	黃
4	Green	綠
3	White	白
2	Blue	藍
1	Brown	棕
Conn.	Wire Color	
$\triangle B$	Pin Out	

Note:  
 \*  $\text{CC}$  Important Dimension  
 \* Waterproof Rate: IP67  
 \* Connector: Nylon+GF, Black  
 \* Male Pin: Copper Alloy, Gold Plated  
 \* Cable: UL2464 26AWG\*6C+D+A, Black, PVC Jacket, UV Resistant, OD=5.0mm  
 $\triangle B$  \* Cable Length Tolerance: 01M:  $\pm 40$ mm  
 02M~05M:  $\pm 100$ mm  
 06M~10M:  $\pm 100$ mm  
 11M~30M:  $\pm 200$ mm  
 31M~99M:  $\pm 500$ mm

UNIT:mm		TITLE	Mini, Cable Lock 6P M Conn M Pin		ITEM NO	DRAWN BY	DATE
TOLERANCE	$\pm 0.5$ mm	SCALE	3:2	SIZE	A4	SHEET	1 OF 1
		REV.	E	WC-REV.	A.1	$\text{CC}$ : Inspection item	
<b>Amphenol LTW</b> <b>安費諾亮泰企業股份有限公司</b>				DWG NO	AU-06BMMM-LL7AXX	CHECKED BY	Rita
				CUSTOMER	ALTW	APPROVED BY	Lion
				DATE	2015-07-20	DATE	2015-07-20
				DATE	2015-07-20	DATE	2015-07-20