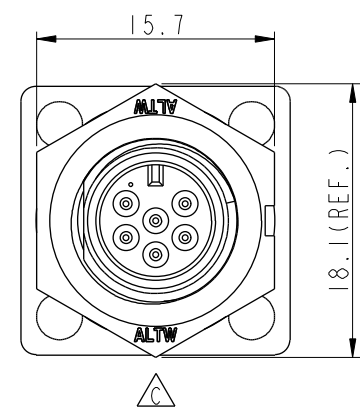
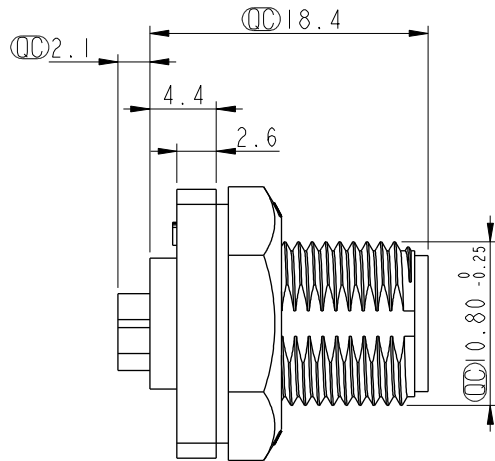
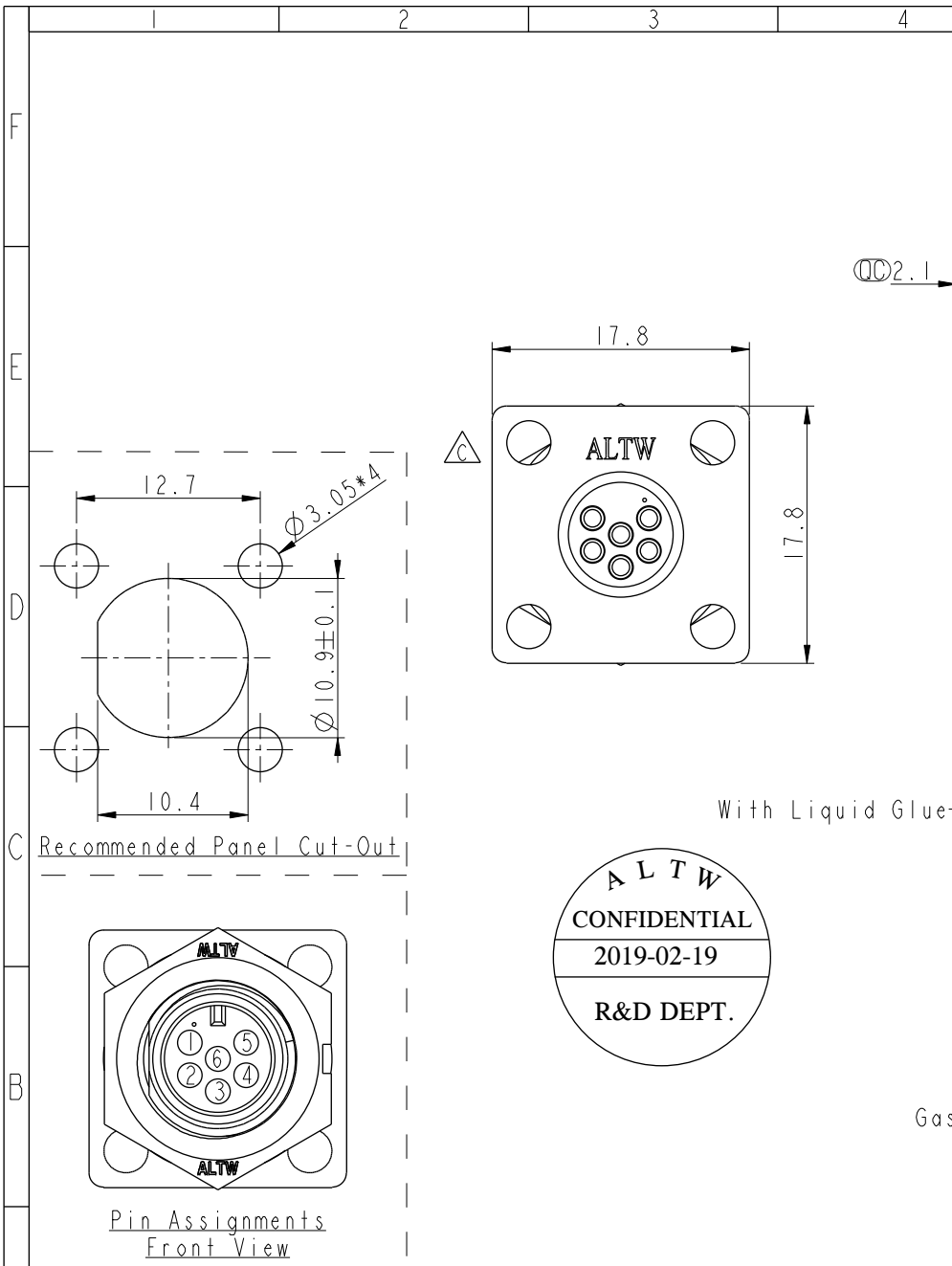
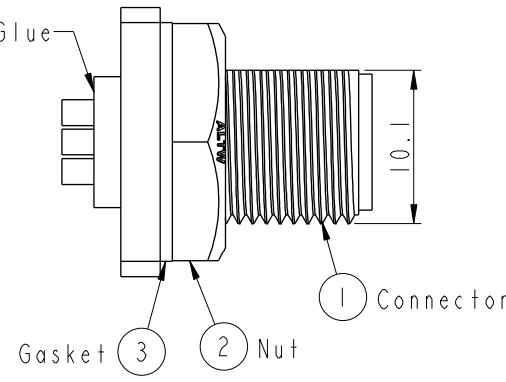


REV.	ECN NO.	DATE	SIGN	DESCRIPTION
B	LEN-8A0121	2008/09/15	Shin	Add Notes
C	LEN1640085	2016/03/30	Vicky	Update Logo
D	CI90268	2019/02/19	Ruru	Modify Note



With Liquid Glue



- Note:  $\triangle$
- \*  $\phi$  Important Dimension
  - \* Waterproof Rate: IP67, Unmated
  - \* Housing: Thermoplastic, Black
  - \* Pin: Copper Alloy, Gold Plated
  - \* Nut: Thermoplastic, Black
  - \* Gasket: Rubber, Black
  - $\triangle$ \* Use with waterproof cap or dust cap  
Panel Thickness max: 4.0mm
  - $\triangle$ \* Use without waterproof cap or dust cap  
Panel Thickness max: 5.0mm
  - \* Gasket and Nut are packed separately in PE bags.

UNIT:mm		TITLE Mini Panel Screw 6Pin M Conn. M Pin			ITEM NO AU-06PMMS-SS7001	DRAWN BY Ruru	DATE 2019-02-19
		TOLERANCE .X $\pm 0.25$ .XX $\pm 0.1$ .XXX $\pm 0.05$ ANGLES $\pm 1^\circ$	SCALE 2:1	SIZE A4	SHEET 1 OF 1	DWG NO AU-06PMMS-SS7001	CHECKED BY Rita
		REV. D	WC-REV. A.2	$\phi$ Inspection item	CUSTOMER ALTW	APPROVED BY Max	DATE 2019-02-19

**Amphenol LTW**  
安費諾亮泰企業股份有限公司

THIS DOCUMENT IS SUBJECT TO CHANGE WITHOUT NOTICE. IT IS CONFIDENTIAL AND A PROPERTY OF Amphenol LTW. DISCLOSURE TO THIRD PARTY HAS TO BE AUTHORIZED BY Amphenol LTW.