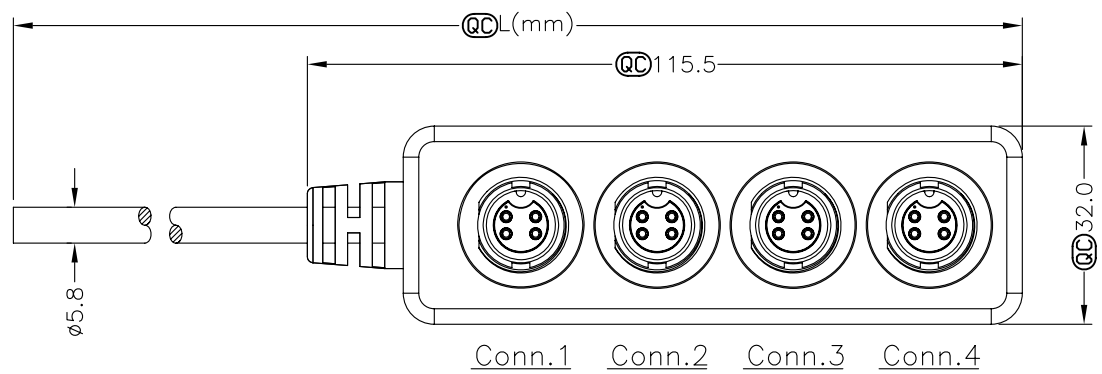


5	6	7	8
REV.	ECN NO.	DATE	SIGN

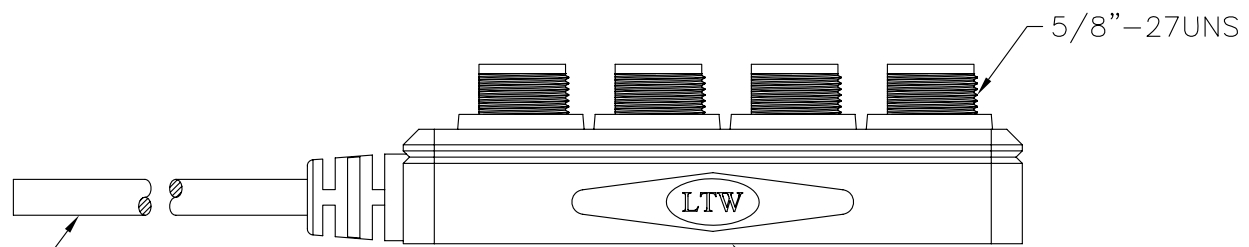
THIS DOCUMENT IS SUBJECT TO CHANGE WITHOUT NOTICE. IT IS CONFIDENTIAL AND A PROPERTY OF LTW. DISCLOSURE TO THIRD PARTY HAS TO BE AUTHORIZED BY LTW.



B-04040404-HHHH-SAXX

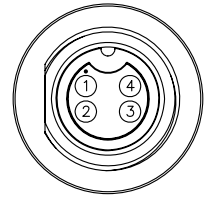
XX :01~99Meters
 01 :01Meter
 02 :02Meters
 :
 :
 99 :99Meters

Cable Length(L):01~99Meters



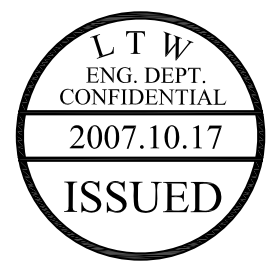
Cable ②
 ① B-04040404-HHHH-S000
 Color: Black

Conn.1,2,3&4



Pin Assignments
Front View

4	4	4	4	Yellow
3	3	3	3	Red
2	2	2	2	Green
1	1	1	1	White
Conn.1	Conn.2	Conn.3	Conn.4	Wire Color
Pin Out				



Notes:

- * QC Important Dimension To Check.
- * Waterproof Rate: IP67
- * Housing: Black,Nylon+GF
- * Female Pin: Copper Alloy,Gold Plated
- * Cable: UL2464 24AWG*4C+D+AL/My Black,PVC Jacket UV Resistant, OD=5.8
- * Cable Length Tolerance: 1M~10M±5%mm, 11M~99M±500mm.

UNIT:mm	TITLE Standard, Extension Cord Screw 4P 5A		LTW 亮泰企業股份有限公司		ITEM NO	DRAWN BY Dominic David	DATE 2007/10/15
TOLERANCE ±0.5 mm	SCALE Free	SHEET 1 OF 1			DWG NO B-04040404-HHHH-SAXX	CHECKED BY Yitung Chan	DATE 2007/10/15
REV. A	SIZE A4	QC :Inspection Item		CUSTOMER	APPROVED BY Falcon Yen	DATE 2007/10/16	8 QP02C-01-01A2