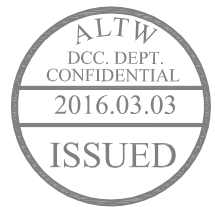
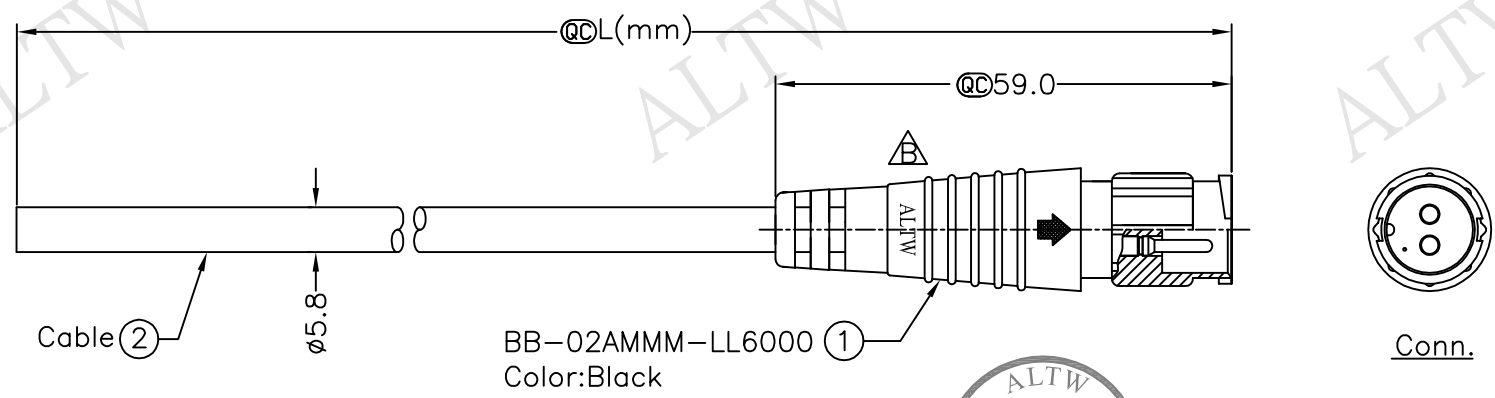
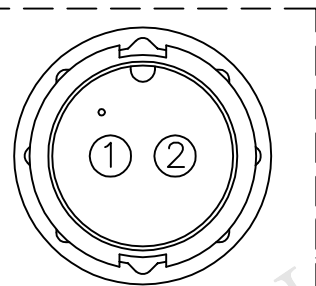


REV.	ECN NO.	DATE	SIGN	DESCRIPTION
B	LEN1630007~010	2016/02/03	Ruru	Change Logo & Note



BB-02AMMM-LL6AXX
 XX:01~99Meter
 01:01Meter
 02:02Meters
 ⋮
 99:99Meters
 Cable Length(L):01~99Meters



Pin Assignments
Front View 前視圖

Red	紅	2
Green	綠	1
Wire Color		Conn.
Pin Out		

- Note:
- * @C Important Dimension.
 - * Waterproof Rate: IP66
 - * Housing: Nylon+GF, Black
 - * Male Pin: Copper Alloy, Gold Plated
 - * Cable: UL2464 20#*2C+Drain+Al/My, UV Resistant, OD=5.8mm, Black
 - * Cable Length Tolerance: 01M: ±40mm
 02M~05M: ±60mm
 06M~10M: ±100mm
 11M~30M: ±200mm
 31M~99M: ±500mm

UNIT:mm		TITLE Standard,Cable Lock 2Pin M Conn M Pin	Amphenol LTW		ITEM NO	DRAWN BY Ruru	DATE 2016/02/03
TOLERANCE ±0.5 mm		SCALE 1:1	安費諾亮泰企業股份有限公司		DWG NO BB-02AMMM-LL6AXX	CHECKED BY Rita	DATE 2016/02/03
		REV. B	SHEET 1 OF 1		CUSTOMER ALTW	APPROVED BY Lisa	DATE 2016/02/03
		SIZE A4	@C :Inspection Item				

THIS DOCUMENT IS SUBJECT TO CHANGE WITHOUT NOTICE. IT IS CONFIDENTIAL AND A PROPERTY OF Amphenol LTW. DISCLOSURE TO THIRD PARTY HAS TO BE AUTHORIZED BY Amphenol LTW.