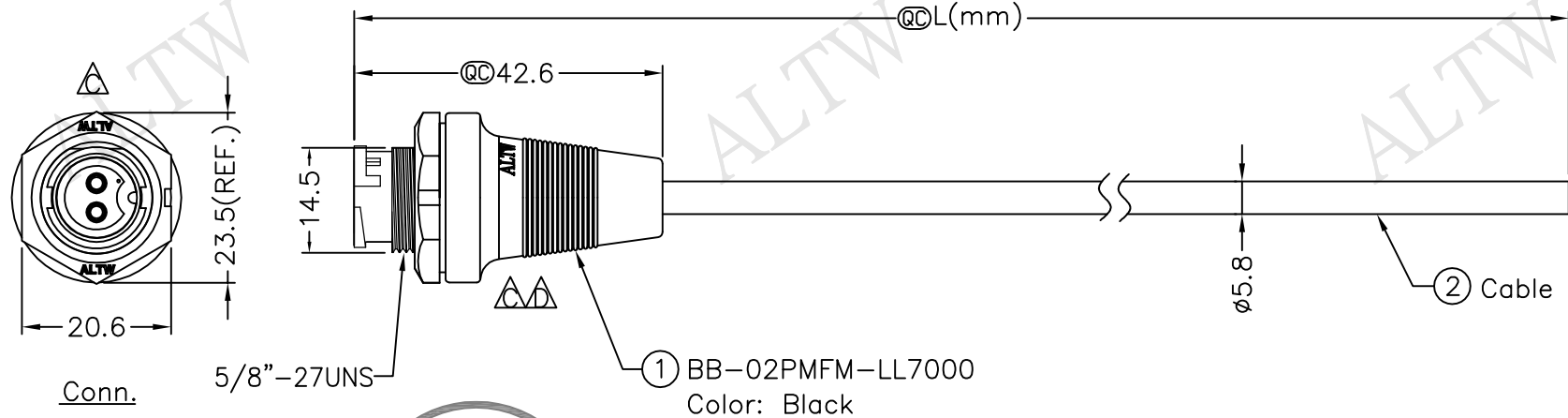


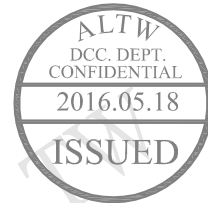
REV.	ECN NO.	DATE	SIGN	DESCRIPTION
B	LEN-8B0291~294	2008/09/10	Shin	Add Note
C	LEN1610169~172	2015/12/04	Ruru	Change Logo & Note
D	LEN1650302~305	2016/05/09	Ruru	Modify Logo Position



BB-02PMFM-LL7AXX

XX:01~99Meter  
 01:01Meter  
 02:02Meters  
 ...  
 99:99Meters

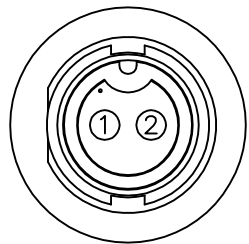
Cable Length(L):01~99Meters



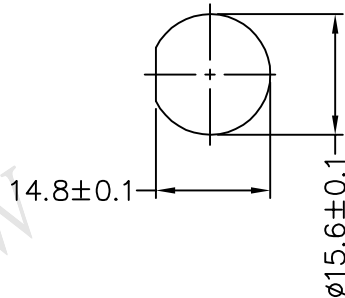
Note:

- \* @C Important Dimensions To Check.
- \* Waterproof Rate: IP67
- \* Housing: Nylon+GF, Black
- \* Female Pin: Copper Alloy, Gold Plated
- \* Gasket: EPDM, Black
- \* Nut: Nylon+GF, Black
- \* Cable: UL2464 20AWG\*2C+Drain+Al/My, PVC Jacket UV Resistant, OD=5.8, Black
- △\* Use with waterproof cap or dust cap  
Panel Thickness Max: 2.5mm
- △\* Use without waterproof cap or dust cap  
Panel Thickness Max: 3.5mm
- △\* Cable Length Tolerance: 01M: ±40mm  
02M~05M: ±60mm  
06M~10M: ±100mm  
11M~30M: ±200mm  
31M~99M: ±500mm

2	Red	紅
1	Green	綠
Conn.	Wire Color	
Pin Out		



Pin Assignments  
Front View



Recommended Panel Cut-Out

UNIT:mm		TITLE
TOLERANCE	±0.5	Standard,Cable Lock 2Pin M Conn. F Pin
SCALE	Free	SHEET 1 OF 1
REV. D	SIZE A4	QC :Inspection Item

**Amphenol LTW**

安費諾亮泰企業股份有限公司

ITEM NO	DRAWN BY	DATE
DWG NO	CHECKED BY	DATE
CUSTOMER	APPROVED BY	DATE

BB-02PMFM-LL7AXX

ALTW

Ruru  
Rita  
Lisa

2016/05/09  
2016/05/09  
2016/05/09

THIS DOCUMENT IS SUBJECT TO CHANGE WITHOUT NOTICE. IT IS CONFIDENTIAL AND A PROPERTY OF Amphenol LTW. DISCLOSURE TO THIRD PARTY HAS TO BE AUTHORIZED BY Amphenol LTW.