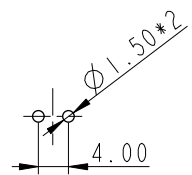
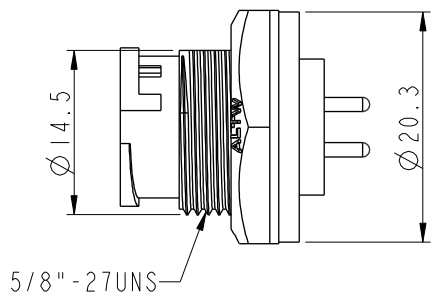
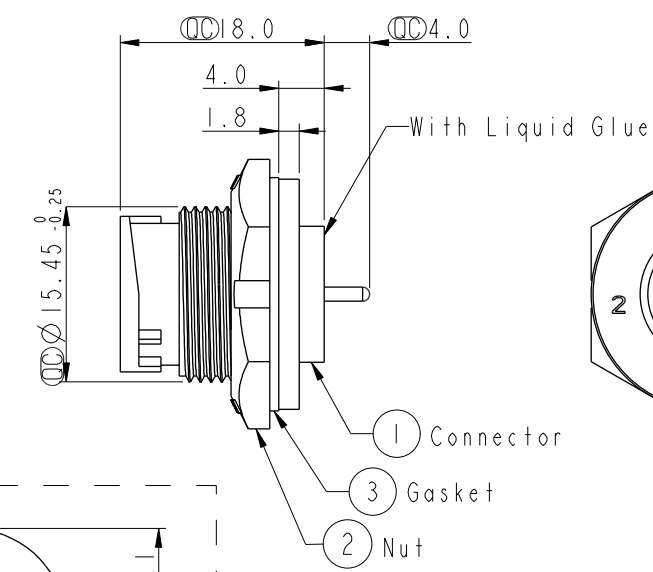


| REV. | ECN NO. | DATE | SIGN | DESCRIPTION |
|------|------------|------------|------|---------------------------|
| B | LEN-8B0295 | 2008/09/10 | Shin | Add Note |
| C | LEN1730265 | 2017/03/14 | Ruru | Change Logo & Modify Note |
| D | CI90274 | 2019/02/19 | Ruru | Modify Note |

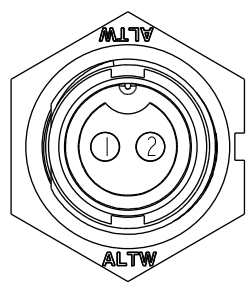
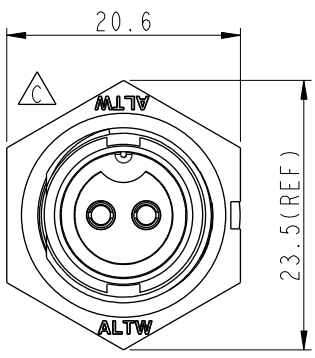


2Pin Male Connector
 Female Pin PCB Layout
 2 Pin 公接頭
 PCB 板控孔位置尺寸圖

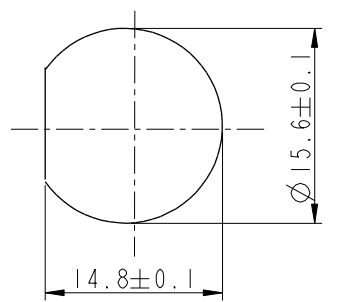


Note: $\triangle C$ $\triangle D$

- * ⌀ Important Dimension To Check.
- * Waterproof Rate: IP67, Unmated
- * Housing: Thermoplastic, Black
- * Pin: Copper Alloy, Gold Plated
- * Nut: Thermoplastic, Black
- * Gasket: Rubber, Black
- $\triangle B$ * Use with waterproof cap or dust cap
Panel Thickness Max: 3.0mm
- $\triangle B$ * Use without waterproof cap or dust cap
Panel Thickness Max: 4.5mm
- * Gasket and Nut are packed separately in PE bags.



Pin Assignments
Front View



Recommended Panel Cut-Out

| | | | | | | | | | |
|----------|---|--|---|-----------------------------|--------------------|----------------------------|--------------------|--------------------|--|
| UNIT: mm | TITLE Standard, Panel Lock 2Pin M Conn F Pin | | | ITEM NO BB-02PMFP-LC7001 | | DRAWN BY Ruru | | DATE 2019-02-19 | |
| | SCALE 1:1 | | | SIZE A4 | | DWG NO BB-02PMFP-LC7001 | | CHECKED BY Rita | |
| | REV. D | | | WC-REV. A.5 | | CUSTOMER ALTW | | APPROVED BY Max | |
| | TOLERANCE .X ±0.25 .XX ±0.1 .XXX ±0.05 ANGLES ±1° | | | SHEET 1 OF 1 | | DATE 2019-02-19 | | DATE 2019-02-19 | |
| | | | Amphenol LTW 安費諾亮泰企業股份有限公司 | | DATE 2019-02-19 | | DATE 2019-02-19 | | |

THIS DOCUMENT IS SUBJECT TO CHANGE WITHOUT NOTICE. IT IS CONFIDENTIAL AND A PROPERTY OF Amphenol LTW. DISCLOSURE TO THIRD PARTY HAS TO BE AUTHORIZED BY Amphenol LTW.