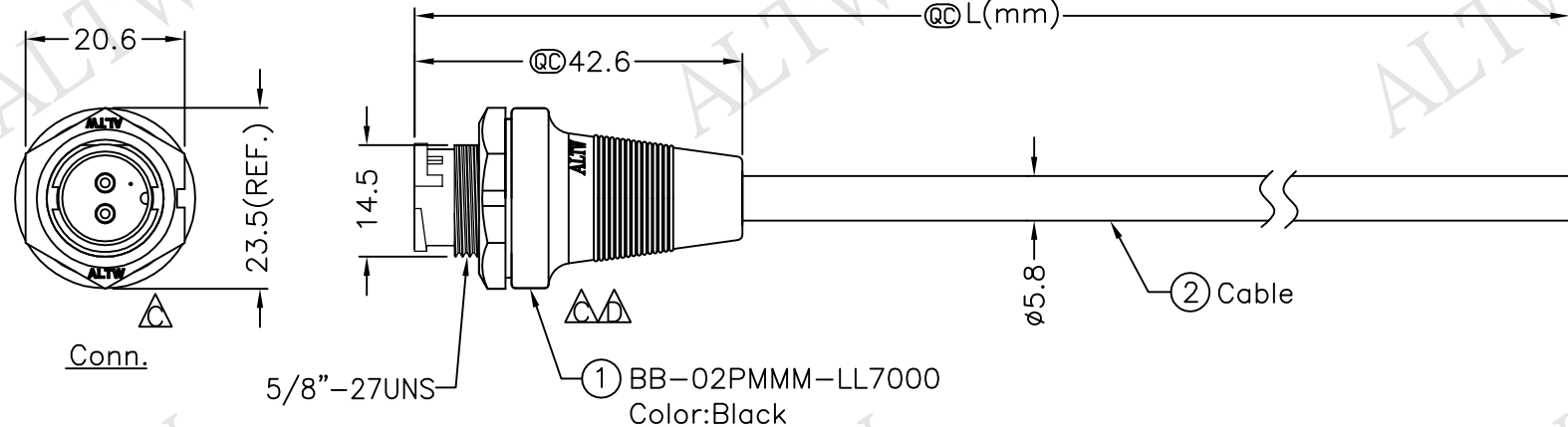




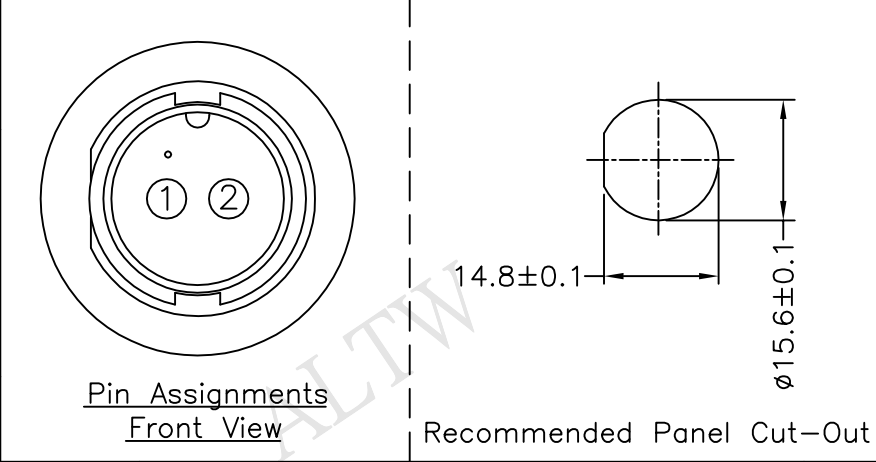
REV.	ECN NO.	DATE	SIGN	DESCRIPTION
B	LEN-8B0341~344	2008/09/10	Shin	Add Note
C	LEN1610205~208	2016/01/08	Ruru	Change Logo & Note
D	LEN1650306~309	2016/05/10	Ruru	Modify Logo Position



Conn.	Wire Color	Pin Out
2	Red 紅	
1	Green 綠	

BB-02PMMM-LL7AXX
 XX:01~99Meter
 01:01Meter
 02:02Meters
 ...
 99:99Meters
 Cable Length(L):01~99Meters

- Note:
- * @C Important Dimensions To Check.
 - * Waterproof Rate: IP67
 - * Housing: Black,Nylon+GF
 - * Male Pin: Copper Alloy,Gold Plated
 - * Nut: Black,Nylon+GF
 - * Gasket: Black,EPDM
 - * Cable: UL2464 20AWG*2C+Drain+Al/My Black,UV Resistant,OD=5.8
 - △* Use with waterproof cap or dust cap
Panel Thickness Max: 2.5mm
 - △* Use without waterproof cap or dust cap
Panel Thickness Max: 3.5mm
 - △* Cable Length Tolerance: 01M: ±40mm
02M~05M: ±60mm
06M~10M: ±100mm
11M~30M: ±200mm
31M~99M: ±500mm



UNIT:mm	TITLE Standard,Cable Lock 2Pin M Conn. M Pin	
TOLERANCE ±0.5	SCALE Free	SHEET 1 OF 1
REV. D	SIZE A4	@C :Inspection Item

Amphenol LTW
 安費諾亮泰企業股份有限公司

ITEM NO	DRAWN BY Ruru	DATE 2016/05/10
DWG NO BB-02PMMM-LL7AXX	CHECKED BY Rita	DATE 2016/05/10
CUSTOMER ALTW	APPROVED BY Lisa	DATE 2016/05/10

THIS DOCUMENT IS SUBJECT TO CHANGE WITHOUT NOTICE. IT IS CONFIDENTIAL AND A PROPERTY OF Amphenol LTW. DISCLOSURE TO THIRD PARTY HAS TO BE AUTHORIZED BY Amphenol LTW.

A B C D E F