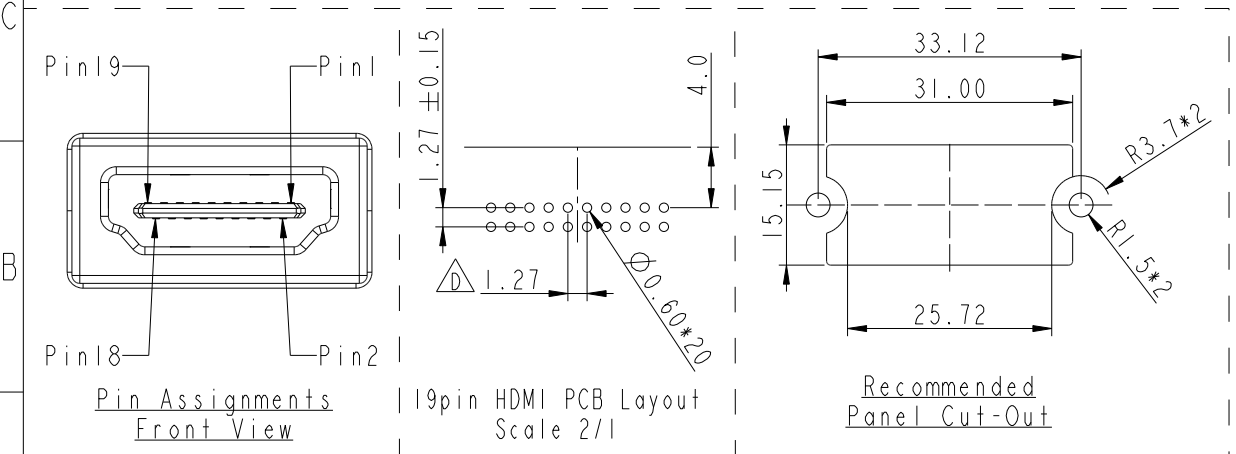
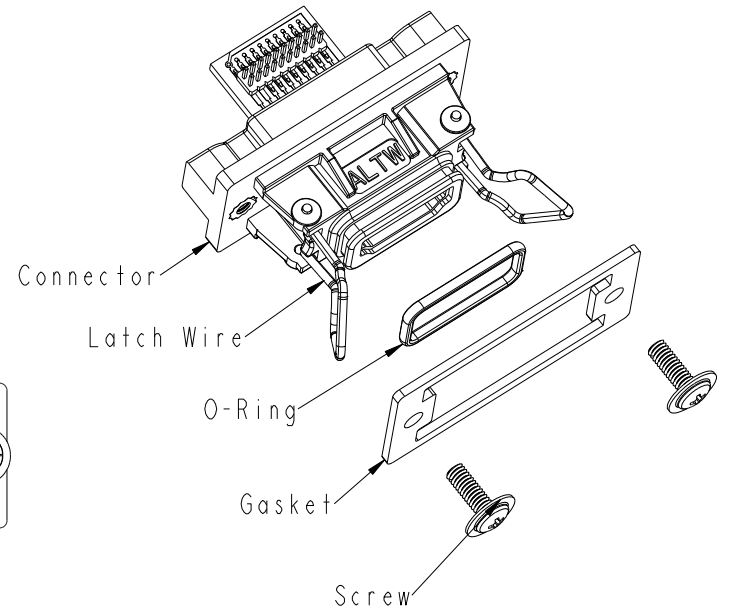
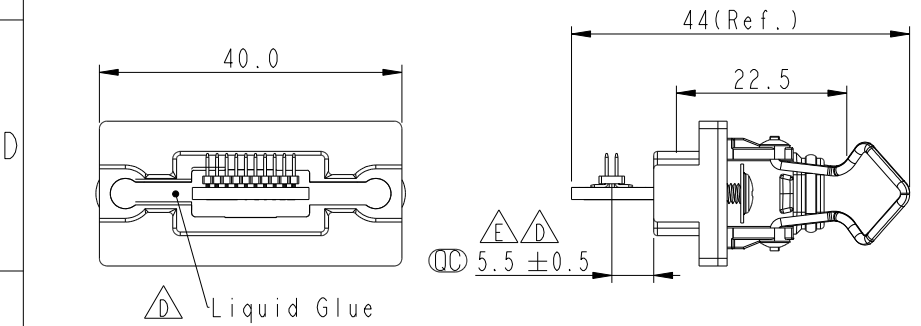
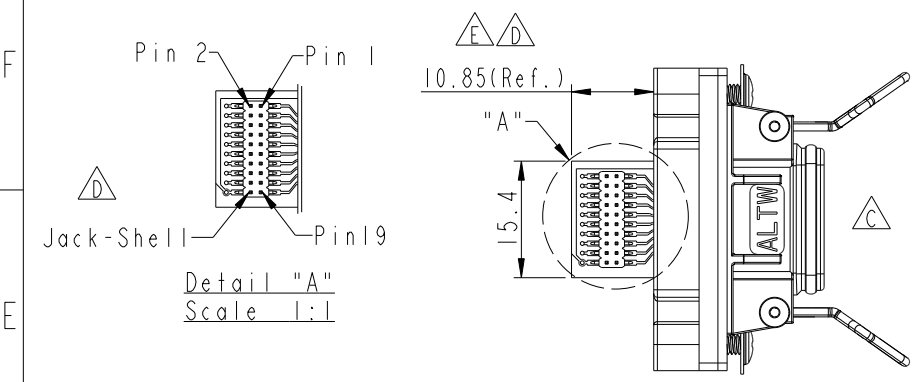


REV.	ECN NO.	DATE	SIGN	DESCRIPTION
C	LEN1750064	2017/04/28	Ruru	Change Logo
D	LEN17C0622	2017/12/08	Gaotong	Change Tolerance, Correct Drawing
E	C240360	2024/04/09	Kyle Huang	$\triangle E$ X2



- Note:
- * Ⓞ Important Dimension.
 - * Waterproof Rate: IP67
 - * Connector: 19Pin HDMI Jack
 - * Pin: Copper Alloy, Gold Plated
 - * Gasket: Black, EPDM
 - * Oring: Black, Silicon
 - * Latch Wire: Stainless Steel
 - * For Panel Thickness Min 2.0mm
 - * For Panel Thickness Max 4.0mm

UNIT:mm			TITLE HDMI Panel Latch 19 F Conn F Pin
TOLERANCE	.X ±0.25		SCALE 1:1
.XX ±0.1			SIZE A4
.XXX ±0.05			SHEET 1 OF 1
ANGLES ±1°			REV. E
			WC-REV. A.2
			Ⓞ : Inspection item

Amphenol LTW
安費諾亮泰企業股份有限公司

ITEM NO HJ-19PFFR-QS7001	DRAWN BY Kyle Huang	DATE 2024/04/09
DWG NO HJ-19PFFR-QS7001	CHECKED BY Fisher Wang	DATE 2024/04/09
CUSTOMER ALTW	APPROVED BY Fred Lee	DATE 2024/04/09

THIS DOCUMENT IS SUBJECT TO CHANGE WITHOUT NOTICE. IT IS CONFIDENTIAL AND A PROPERTY OF Amphenol LTW. DISCLOSURE TO THIRD PARTY HAS TO BE AUTHORIZED BY Amphenol LTW.