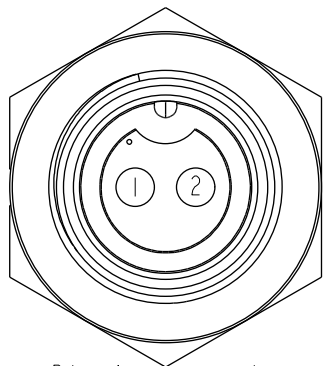
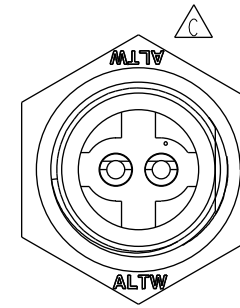
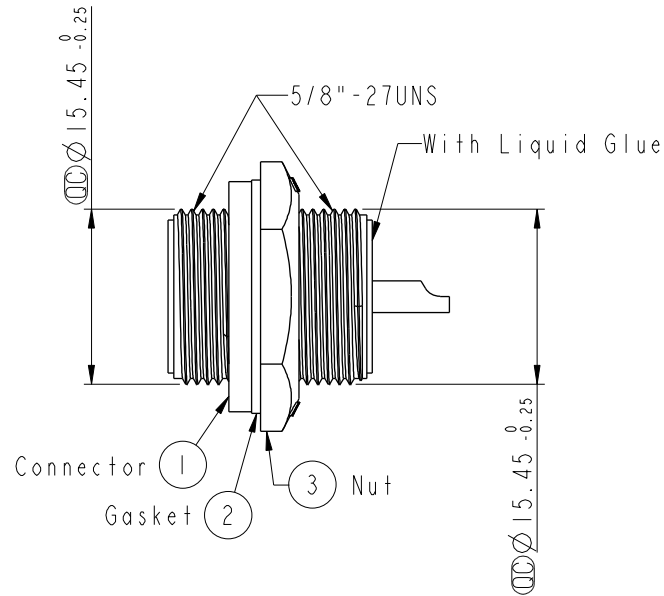
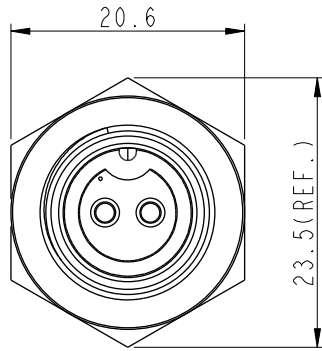
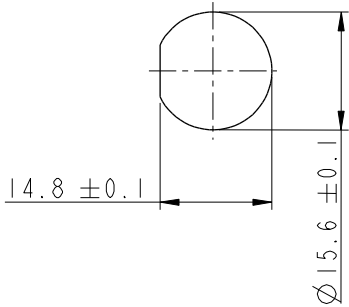


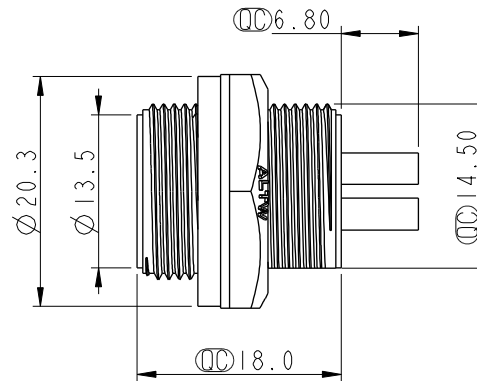
ALTW
 CONFIDENTIAL
 2019-02-19
 R&D DEPT.



Pin Assignments
 Front View



Recommended Panel Cut-Out



Note: $\triangle C$

- * CC Important Dimension To Check.
- * Waterproof Rate: IP67, Unmated
- * Housing: Thermoplastic, Black
- * Pin: Copper Alloy, Gold Plated
- * Nut: Thermoplastic, Black
- * Gasket: Rubber, Black

- $\triangle B$ * Use with waterproof cap or dust cap
 Panel Thickness Max: 4.0mm
- $\triangle A$ * Use without waterproof cap or dust cap
 Panel Thickness Max: 5.0mm
- * Gasket and Nut are packed separately in PE bags.

REV.	ECN NO.	DATE	SIGN	DESCRIPTION
B	LEN-8B0566	2008/09/10	Shin	Add Note
C	CI90274	2019/02/19	Ruru	Modify Note & Change Logo

UNIT:mm		
TOLERANCE		
.X	±0.25	
.XX	±0.1	
.XXX	±0.05	
ANGLES	±1°	

TITLE Standard, Rear Screw 2P M Conn F Pin			
SCALE 1:1	SIZE A4	SHEET 1 OF 1	
REV. C	WC-REV. A.3	CC : Inspection item	

Amphenol LTW
 安費諾亮泰企業股份有限公司

ITEM NO BB-02RMFS-SC7001	DRAWN BY Ruru	DATE 2019-02-19
DWG NO BB-02RMFS-SC7001	CHECKED BY Rita	DATE 2019-02-19
CUSTOMER ALTW	APPROVED BY Max	DATE 2019-02-19

THIS DOCUMENT IS SUBJECT TO CHANGE WITHOUT NOTICE. IT IS CONFIDENTIAL AND A PROPERTY OF Amphenol LTW. DISCLOSURE TO THIRD PARTY HAS TO BE AUTHORIZED BY Amphenol LTW.