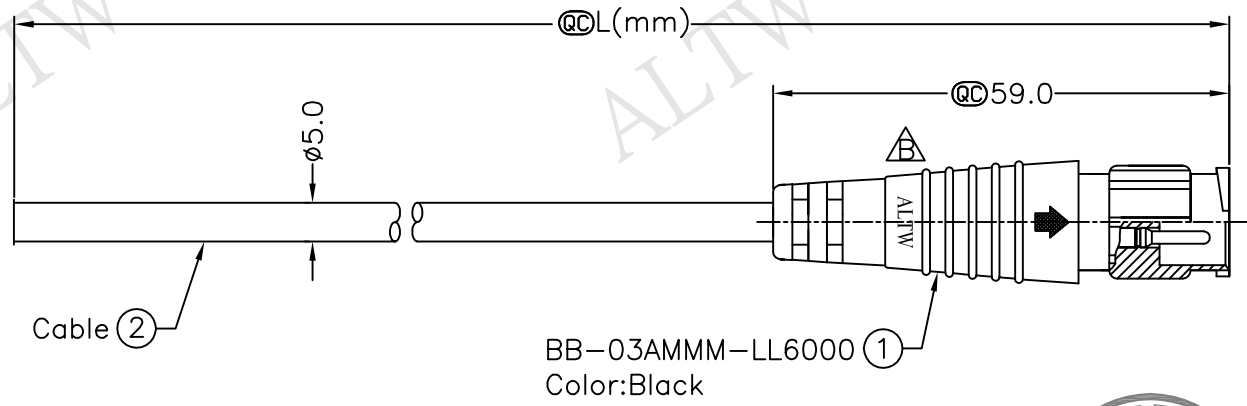


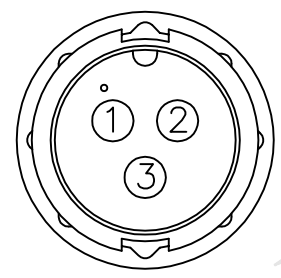
REV.	ECN NO.	DATE	SIGN	DESCRIPTION
B	LEN1630012~015	2016/02/15	Ruru	Change Logo & Note



BB-03AMMM-LL6AXX
 XX:01~99Meter
 01:01Meter
 02:02Meters
 ...
 99:99Meters
 Cable Length(L):01~99Meters



- Note:
- * @ Important Dimension.
 - * Waterproof Rate: IP66
 - * Housing: Nylon+GF, Black
 - * Male Pin: Copper Alloy, Gold Plated
 - * Cable: UL2464 20#*3C+Al/My, UV Resistant ,OD=5.0mm, Black
 - * Cable Length Tolerance: 01M: ±40mm
 02M~05M: ±60mm
 06M~10M: ±100mm
 11M~30M: ±200mm
 31M~99M: ±500mm



Yellow	黃	3
White	白	2
Black	黑	1
Wire Color		Conn.

UNIT:mm	
TOLERANCE	±0.5 mm

TITLE	
Standard,Cable Lock 3Pin M Conn M Pin	
SCALE	SHEET
1:1	1 OF 1
REV. B	SIZE A4
@C :Inspection Item	

Amphenol LTW
 安費諾亮泰企業股份有限公司

ITEM NO	DWG NO	CUSTOMER
	BB-03AMMM-LL6AXX	ALTW

DRAWN BY	CHECKED BY	APPROVED BY
Ruru	Rita	Lisa

DATE	DATE	DATE
2016/02/15	2016/02/15	2016/02/15

THIS DOCUMENT IS SUBJECT TO CHANGE WITHOUT NOTICE. IT IS CONFIDENTIAL AND A PROPERTY OF Amphenol LTW. DISCLOSURE TO THIRD PARTY HAS TO BE AUTHORIZED BY Amphenol LTW.