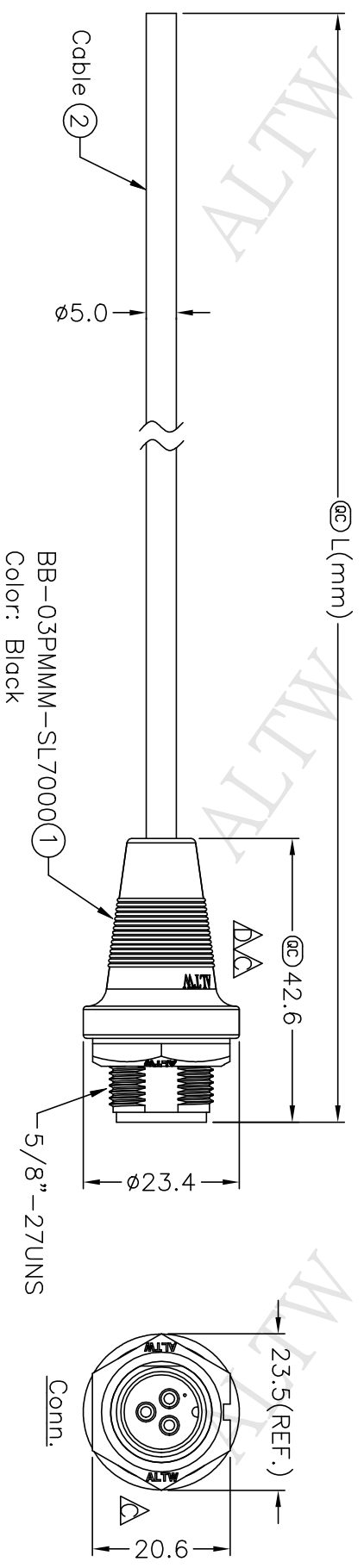
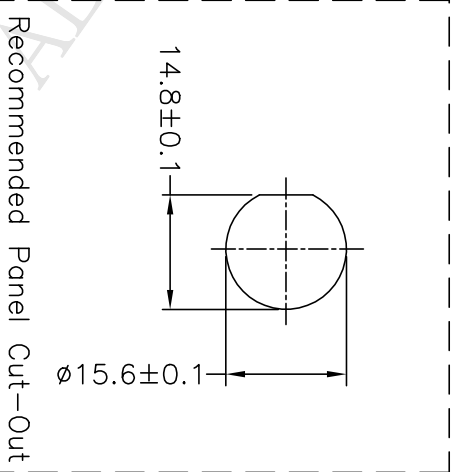
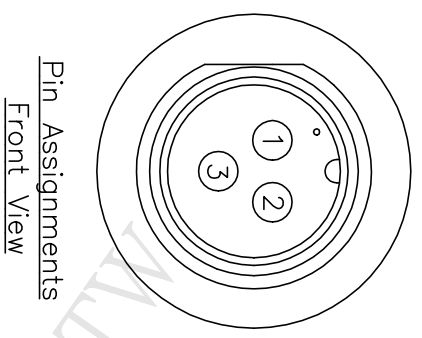


REV.	EGN. NO.	DATE	SIGN	DESCRIPTION
C	LEN1610196~199	2015/12/07	Ruru	Change Logo & Note
D	LEN1790390~393	2017/09/27	Ruru	Update View
E	C190502	2019/04/02	Fu	Change 藍色 To 黑色



3	Yellow 黃色
2	White 白色
1	Black 黑色
Conn.	Wire Color



UNIT:mm	
TOLERANCE	
±0.5 mm	

TITLE	Standard,Cable Screw 3Pin M Conn. M Pin				
SCALE	Free	SHEET	1	OF	1
REV.	E	SIZE	A4	:Inspection Item	
ITEM NO	DWG. NO		DRAWN BY		
CUSTOMER	BB-03PMMM-SL7AXX		Fu		
DATE	2019/04/02		DATE		
DATE	2019/04/02		DATE		
DATE	2019/04/02		DATE		

THIS DOCUMENT IS SUBJECT TO CHANGE WITHOUT NOTICE. IT IS CONFIDENTIAL AND A PROPERTY OF Amphenol LTM. DISCLOSE TO THIRD PARTY HAS TO BE AUTHORIZED BY Amphenol LTM.

Amphenol LTM  
安費諾亮泰企業股份有限公司

CONFIDENTIAL  
2019.04.02  
R&D DEPT.

BB-03PMMM-SL7AXX  
Color: Black  
5/8"-27UNS

Note:  
 \* Important Dimensions To Check.  
 \* Waterproof Rate: IP67  
 \* Housing: Nylon+GF, Black  
 \* Male Pin: Copper Alloy, Gold Plated  
 \* Nut: Nylon+GF, Black  
 \* Gasket: EPDM, Black  
 \* Cable: UL2464 20AWG\*3C+Drain+Al/My,  
 UV Resistant, OD=5.0, Black  
 \* Use with waterproof cap or dust cap  
 \* Use without waterproof cap or dust cap  
 \* Cable Length Tolerance: 01M: ±40mm  
 02M~05M: ±60mm  
 06M~10M: ±100mm  
 11M~30M: ±200mm  
 31M~99M: ±500mm

8WJ0814-03- 表單01A1