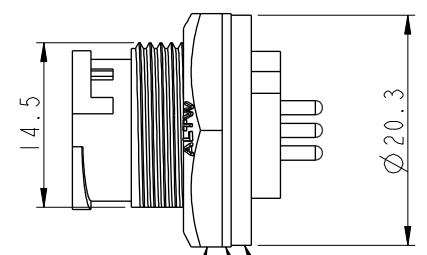
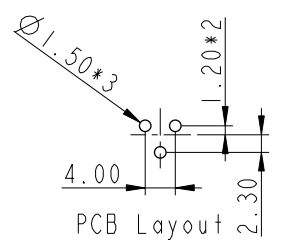
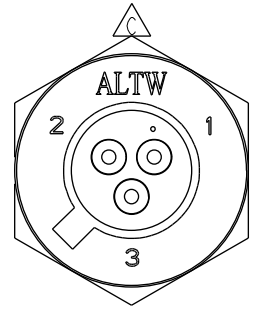
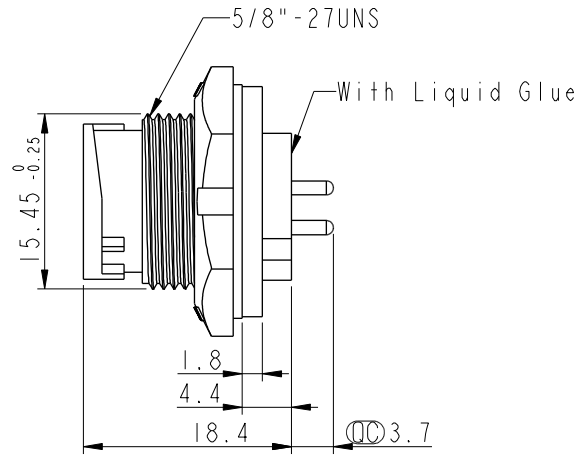
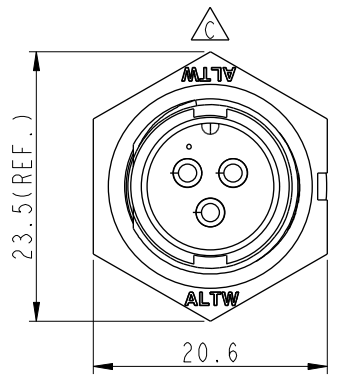
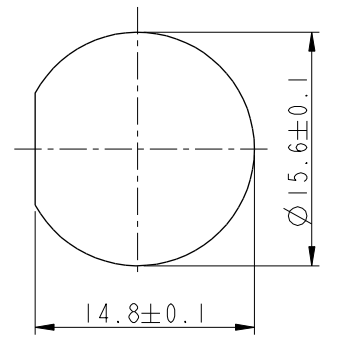
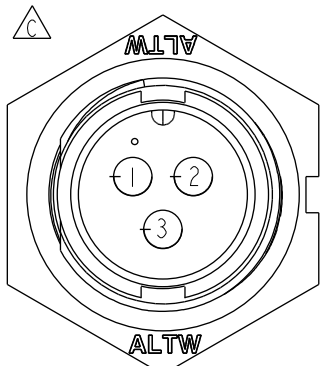


REV.	ECN NO.	DATE	SIGN	DESCRIPTION
B	LEN-8B0351	2008/09/17	Shin	Add Note and Update Drawing to New Format
C	LEN1540239	2014/12/23	Jinhai	Change Logo
D	CI90274	2019/02/20	Ruru	Modify Note



- Note: \triangle
- * ⌀ Important Dimensions To Check.
 - * Waterproof Rate: IP67, Unmated
 - * Housing: Thermoplastic, Black
 - * Pin: Copper Alloy, Gold Plated
 - * Nut: Thermoplastic, Black
 - * Gasket: Rubber, Black
 - \triangle * Use with Waterproof Cap or Dustcap
Panel Thickness Max: 3.0mm
 - \triangle * Use without Waterproof Cap or Dustcap
Panel Thickness Max: 4.5mm
 - * Gasket and Nut are packed separately in PE bags.



Pin Assignments
Front View

Recommended Panel Cut-Out

UNIT: mm TOLERANCE .X ±0.25 .XX ±0.1 .XXX ±0.05 ANGLES ±1°	TITLE Standard, Panel Lock 3Pin M Conn M Pin			Amphenol LTW 安費諾亮泰企業股份有限公司		ITEM NO BB-03PMMP-LC7001	DRAWN BY Ruru	DATE 2019-02-20
	SCALE 1:1	SIZE A4	SHEET 1 OF 1			DWG NO BB-03PMMP-LC7001	CHECKED BY Rita	DATE 2019-02-20
	REV. D	WC-REV. A.3	⌀ : Inspection item	CUSTOMER ALTW	APPROVED BY Max	DATE 2019-02-20		
								W10814-03-01A2

THIS DOCUMENT IS SUBJECT TO CHANGE WITHOUT NOTICE. IT IS CONFIDENTIAL AND A PROPERTY OF Amphenol LTW. DISCLOSURE TO THIRD PARTY HAS TO BE AUTHORIZED BY Amphenol LTW.