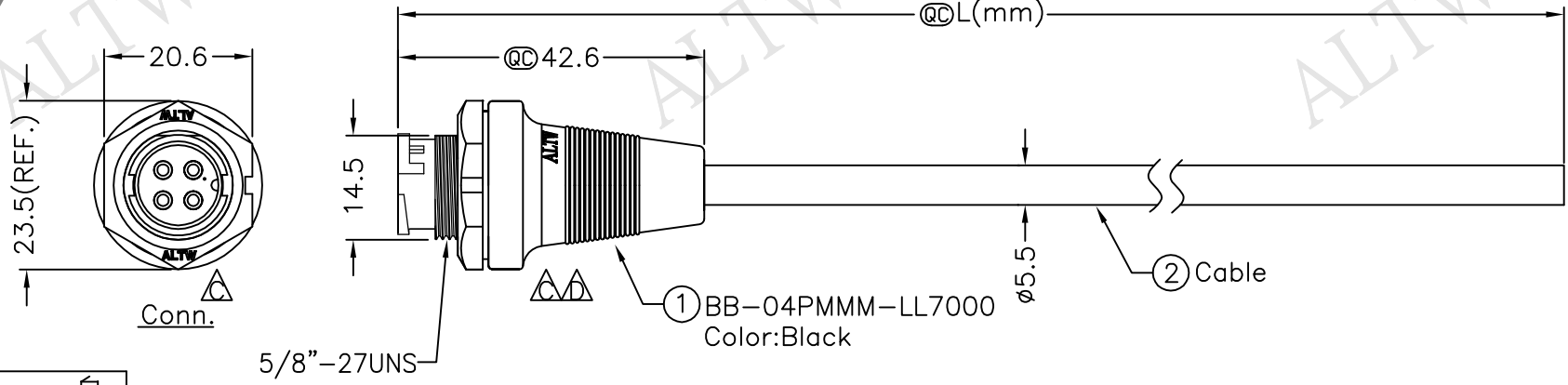


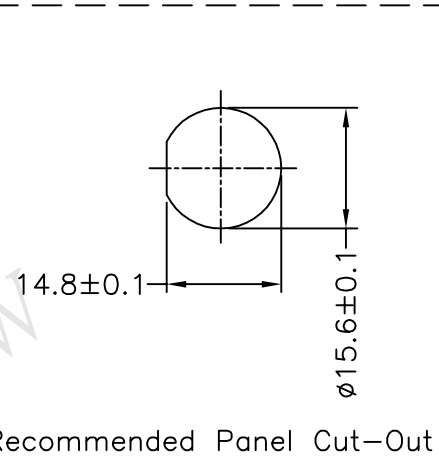
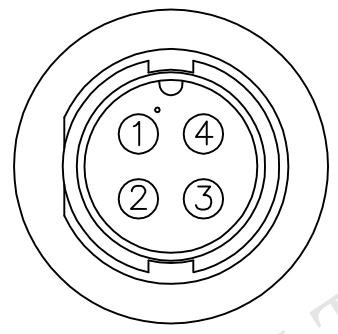
5	6	7	8
REV.	ECN NO.	DATE	SIGN
B	LEN-8B0353~356	2008/09/10	Shin
C	LEN1610318~321	2016/01/20	Ruru
D	LEN1650319~322	2016/05/10	Ruru
			DESCRIPTION
			Add Note
			Change Logo & Note
			Modify Logo Position



4	White	白
3	Black	黑
2	Blue	藍
1	Brown	棕
Conn.	Wire Color	
Pin Out		

BB-04PMMM-LL7AXX
 XX:01~99Meter
 01:01Meter
 02:02Meters
 ...
 99:99Meters
 Cable Length(L):01~99Meters

- Note:
- * @@Important Dimensions To Check.
 - * Waterproof Rate: IP67
 - * Housing: Black,Nylon+GF
 - * Male Pin: Copper Alloy,Gold Plated
 - * Nut: Black,Nylon+GF
 - * Gasket: Black,EPDM
 - * Cable: UL2464 20AWG*4C+Drain+Al/My Black,UV Resistant,OD=5.5
 - △* Use with waterproof cap or dust cap
Panel Thickness Max: 2.5mm
 - △* Use without waterproof cap or dust cap
Panel Thickness Max: 3.5mm
 - △* Cable Length Tolerance: 01M: ±40mm
02M~05M: ±60mm
06M~10M: ±100mm
11M~30M: ±200mm
31M~99M: ±500mm



UNIT:mm	
TOLERANCE	±0.5

TITLE Standard,Cable Lock 4Pin M Conn. M Pin	
SCALE Free	SHEET 1 OF 1
REV. D	SIZE A4
QC :Inspection Item	

Amphenol LTW
 安費諾亮泰企業股份有限公司

ITEM NO	DRAWN BY Ruru	DATE 2016/05/10
DWG NO BB-04PMMM-LL7AXX	CHECKED BY Rita	DATE 2016/05/10
CUSTOMER ALTW	APPROVED BY Lisa	DATE 2016/05/10

THIS DOCUMENT IS SUBJECT TO CHANGE WITHOUT NOTICE. IT IS CONFIDENTIAL AND A PROPERTY OF Amphenol LTW. DISCLOSURE TO THIRD PARTY HAS TO BE AUTHORIZED BY Amphenol LTW.

F
E
D
C
B
A

1
2
3
4
5
6
7
8