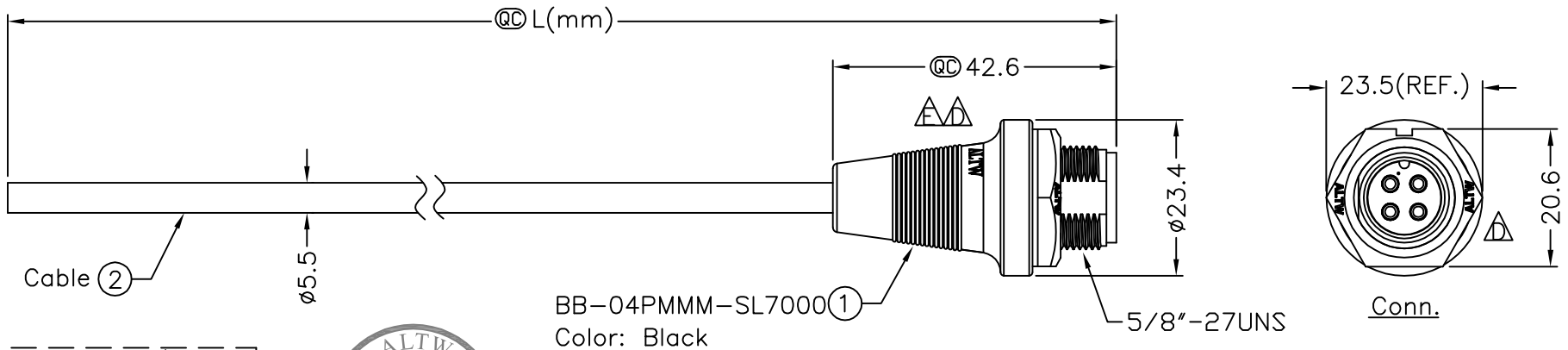
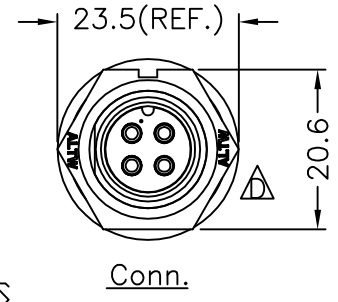


REV.	ECN NO.	DATE	SIGN	DESCRIPTION
C	LEN-960141~144	2009/05/31	Li Xiu Zhi	Add Pin Out
D	LEN1610313~316	2016/01/20	Ruru	Change Logo
E	LEN1790394~397	2017/09/27	Ruru	Update View

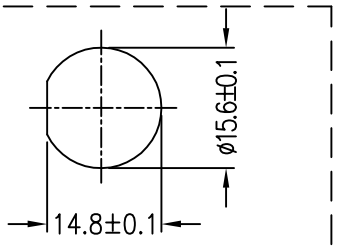
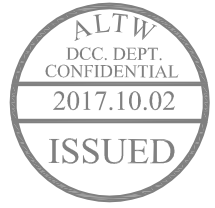


BB-04PMMM-SL7000 (1)
Color: Black

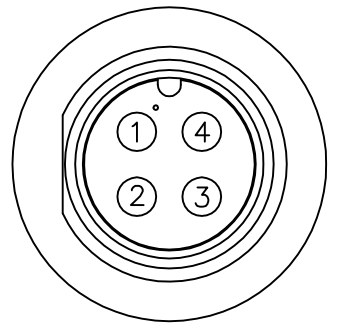


- Note:
- * @C Important Dimensions To Check.
 - * Waterproof Rate: IP67
 - * Housing: Black, Nylon+GF
 - * Male Pin: Copper Alloy, Gold Plated
 - * Nut: Black, Nylon+GF
 - * Gasket: Black, EPDM
 - * Cable: UL2464 20AWG*4C+Drain+Al/My Black, UV Resistant, OD=5.5
 - * Cable Length Tolerance:
 - 01M: ±40mm
 - 02M~05M: ±60mm
 - 06M~10M: ±100mm
 - 11M~30M: ±200mm
 - 31M~99M: ±500mm
 - * Use with waterproof cap or dust cap
Panel Thickness Max: 2.5mm
 - * Use without waterproof cap or dust cap
Panel Thickness Max: 3.5mm

BB-04PMMM-SL7AXX
 XX: 01~99 Meter
 01: 01 Meter
 02: 02 Meters
 ...
 99: 99 Meters
 Cable Length(L): 01~99 Meters



Recommended Panel Cut-Out



Pin Assignments Front View

Wire Color	Conn
White 白	4
Black 黑	3
Blue 藍	2
Brown 棕	1

Pin Out

UNIT:mm	TITLE Standard, Cable Screw 4Pin M Conn. M Pin	
TOLERANCE ±0.5 mm	SCALE Free	SHEET 1 OF 1
REV. E	SIZE A4	@C : Inspection Item

Amphenol LTW
安費諾亮泰企業股份有限公司

ITEM NO	DRAWN BY Ruru	DATE 2017/09/27
DWG NO BB-04PMMM-SL7AXX	CHECKED BY Rita	DATE 2017/09/27
CUSTOMER ALTW	APPROVED BY Max	DATE 2017/09/27

THIS DOCUMENT IS SUBJECT TO CHANGE WITHOUT NOTICE. IT IS CONFIDENTIAL AND A PROPERTY OF Amphenol LTW. DISCLOSURE TO THIRD PARTY HAS TO BE AUTHORIZED BY Amphenol LTW.