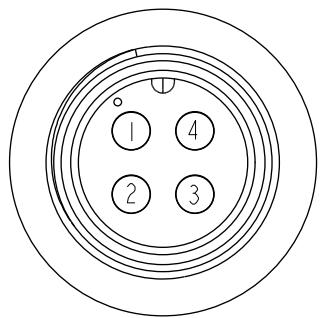
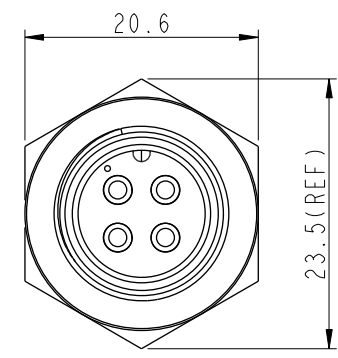
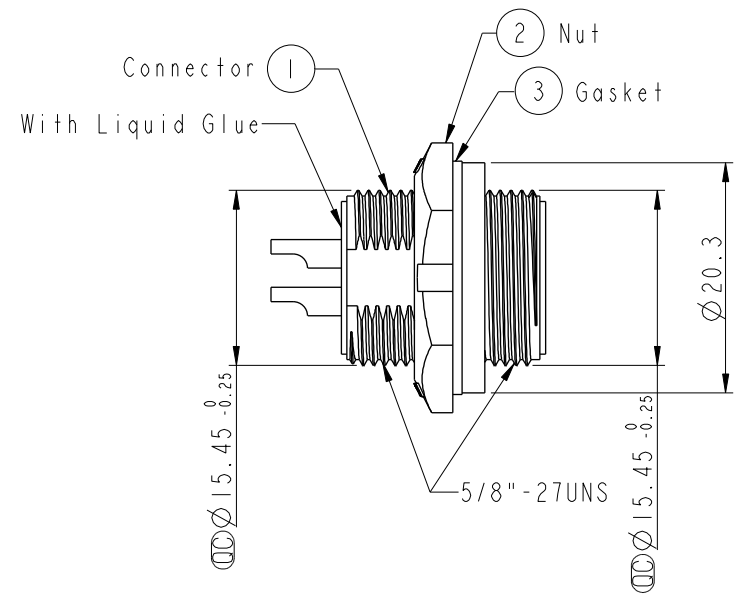
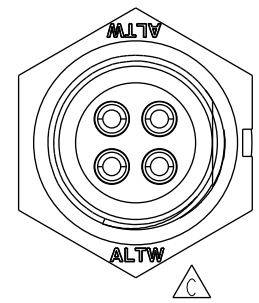


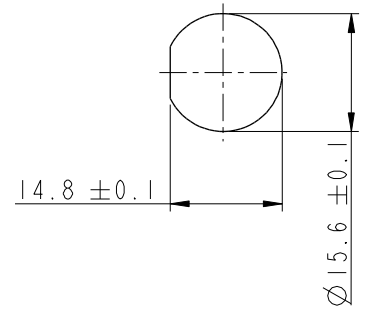
THIS DOCUMENT IS SUBJECT TO CHANGE WITHOUT NOTICE. IT IS CONFIDENTIAL AND A PROPERTY OF Amphenol LTW. DISCLOSURE TO THIRD PARTY HAS TO BE AUTHORIZED BY Amphenol LTW.

REV.	ECN NO.	DATE	SIGN	DESCRIPTION
B	LEN-8B0556	2008/09/19	Shin	Add Note and Update Drawing to New Format
C	CI90274	2019/02/20	Ruru	Modify Note & Change Logo

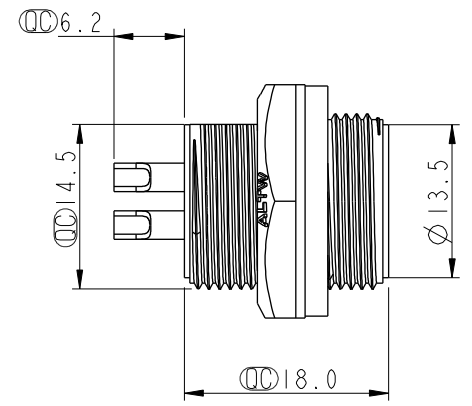
ALTW
CONFIDENTIAL
 2019-02-20
R&D DEPT.



Pin Assignments
Front View



Recommended Panel Cut-Out



- Note:
- * Important Dimension To Check.
 - * Waterproof Rate: IP67, Unmated
 - * Housing: Thermoplastic, Black
 - * Pin: Copper Alloy, Gold Plated
 - * Nut: Thermoplastic, Black
 - * Gasket: Rubber, Black
 - * Use with waterproof cap or dust cap
Panel Thickness Max: 4.0mm
 - * Use without waterproof cap or dust cap
Panel Thickness Max: 5.0mm
 - * Gasket and Nut are packed separately in PE bags.

UNIT:mm TOLERANCE .X ±0.25 .XX ±0.1 .XXX ±0.05 ANGLES ±1°	TITLE Standard, Rear Screw 4P M Conn M Pin			Amphenol LTW 安費諾亮泰企業股份有限公司		ITEM NO BB-04RMMS-SC7001	DRAWN BY Ruru	DATE 2019-02-20
	SCALE 1:1	SIZE A4	SHEET 1 OF 1	DWG NO BB-04RMMS-SC7001		CHECKED BY Rita	DATE 2019-02-20	
	REV. C	WC-REV. A.3	Inspection item	CUSTOMER ALTW	APPROVED BY Max	DATE 2019-02-20		
								8 W10814-03-01A2