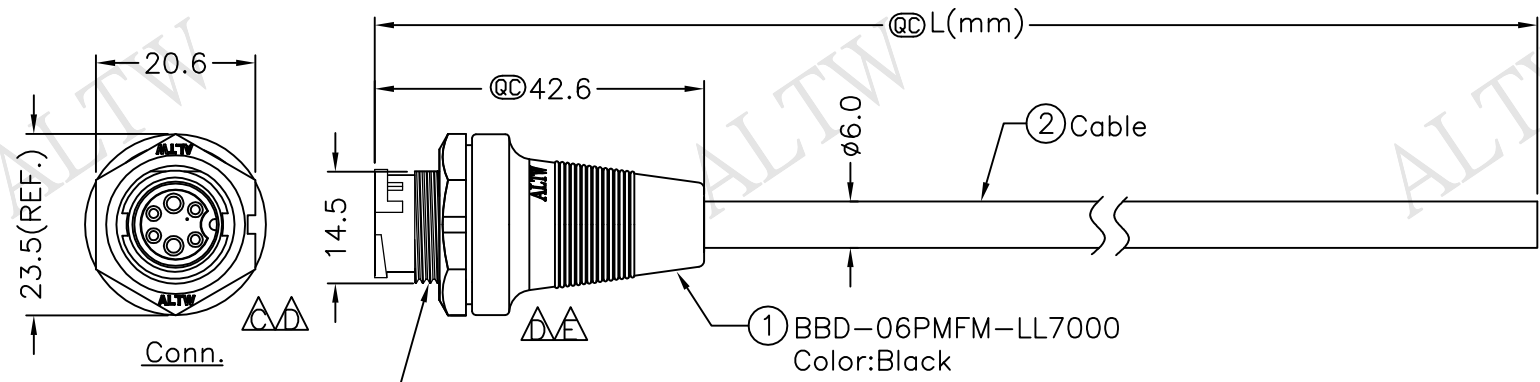


REV.	ECN NO.	DATE	SIGN	DESCRIPTION
C	LEN-8C0102~105	2008/11/07	Ivan	Change to pin hole
D	LEN1610418~421	2016/01/21	Ruru	Change Logo & Note
E	LEN1650323/411~13	2016/05/10	Ruru	Modify Logo Position



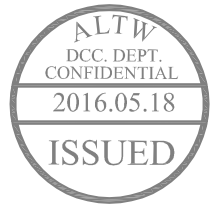
6	Gray 灰	(24AWG)
5	Blue 藍	(20AWG)
4	Yellow 黃	(24AWG)
3	Green 綠	(24AWG)
2	Brown 棕	(20AWG)
1	White 白	(24AWG)
Conn.	Wire Color	
	Pin Out	

5/8"-27UNS

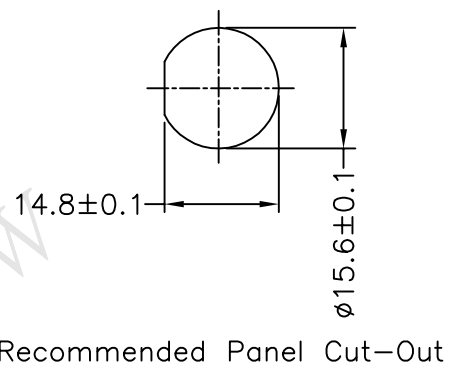
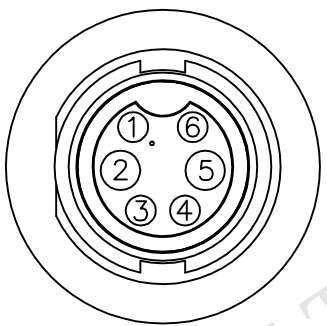
BBD-06PMFM-LL7AXX

XX:01~99Meter
 01:01Meter
 02:02Meters
 :
 :
 99:99Meters

Cable Length(L):01~99Meters



- Note:
- * @@Important Dimensions To Check.
 - * Waterproof Rate: IP67
 - * Housing: Black,Nylon+GF
 - * Female Pin: Copper Alloy,Gold Plated
 - * Nut: Black,Nylon+GF
 - * Gasket: Black,EPDM
 - * Cable: UL2464 (20AWG*2C+24AWG*4C)+Drain+AL/My Black,UV Resistant,OD=6.0mm
 - △* Use with waterproof cap or dust cap
Panel Thickness Max: 2.5mm
 - △* Use without waterproof cap or dust cap
Panel Thickness Max: 3.5mm
 - △* Cable Length Tolerance: 01M: ±40mm
02M~05M: ±60mm
06M~10M: ±100mm
11M~30M: ±200mm
31M~99M: ±500mm



UNIT:mm	
TOLERANCE	±0.5

TITLE Standard,Cable Lock 6Pin M Conn. F Pin	
SCALE Free	SHEET 1 OF 1
REV. E	SIZE A4
QC :Inspection Item	

Amphenol LTW
 安費諾亮泰企業股份有限公司

ITEM NO	
DWG NO	BBD-06PMFM-LL7AXX
CUSTOMER	ALTW

DRAWN BY Ruru	DATE 2016/05/10
CHECKED BY Rita	DATE 2016/05/10
APPROVED BY Lisa	DATE 2016/05/10

THIS DOCUMENT IS SUBJECT TO CHANGE WITHOUT NOTICE. IT IS CONFIDENTIAL AND A PROPERTY OF Amphenol LTW. DISCLOSURE TO THIRD PARTY HAS TO BE AUTHORIZED BY Amphenol LTW.

F
E
D
C
B
A

1 2 3 4 5 6 7 8