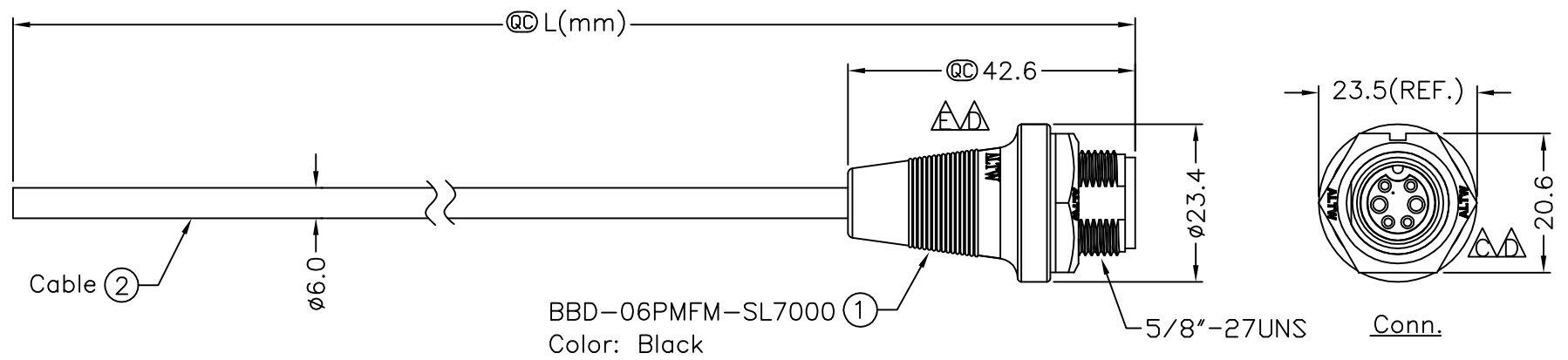
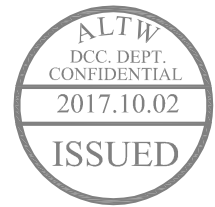


REV.	ECN NO.	DATE	SIGN	DESCRIPTION
C	LEN-8B0706~709	2008/11/07	Ivan	Change to pin hole
D	LEN1610449~452	2016/01/21	Ruru	Change Logo & Note
E	LEN1790398~401	2017/09/27	Ruru	Update View

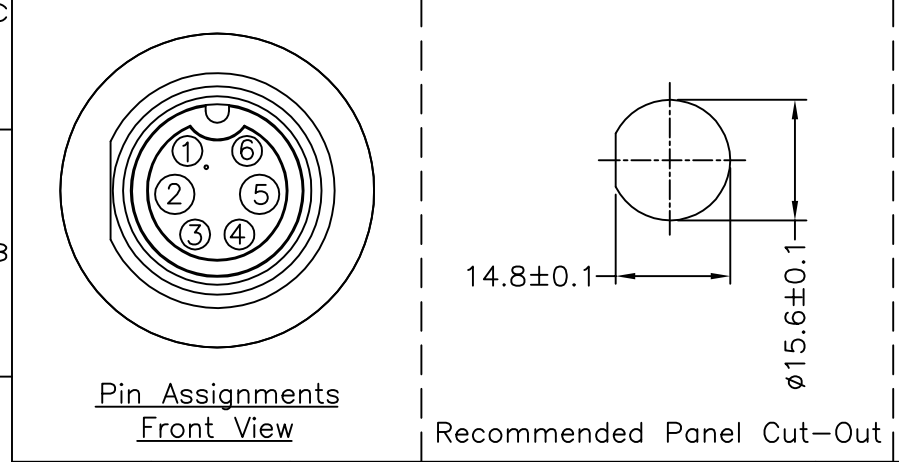


6	Gray (24AWG) 灰色
5	Blue (20AWG) 藍色
4	Yellow (24AWG) 黃色
3	Green (24AWG) 綠色
2	Brown (20AWG) 棕色
1	White (24AWG) 白色
Conn.	Wire Color
	Pin Out

BBD-06PMFM-SL7AXX  
 XX:01~99Meter  
 01:01Meter  
 02:02Meters  
 ...  
 99:99Meters  
 Cable Length(L):01~99Meters



- Note:
- \* @C Important Dimensions To Check.
  - \* Waterproof Rate: IP67
  - \* Housing: Black, Nylon+GF
  - \* Female Pin: Copper Alloy, Gold Plated
  - \* Nut: Black, Nylon+GF
  - \* Gasket: Black, EPDM
  - \* Cable: UL2464 (20AWG\*2C+24AWG\*4C)+Drain+AL/My UV Resistant, OD=6.0mm, Black
  - \* Use with waterproof cap or dust cap  
Panel Thickness Max: 2.5mm
  - \* Use without waterproof cap or dust cap  
Panel Thickness Max: 3.5mm
  - \* Cable Length Tolerance: 01M: ±40mm  
02M~05M: ±60mm  
06M~10M: ±100mm  
11M~30M: ±200mm  
31M~99M: ±500mm



UNIT:mm		TITLE
TOLERANCE		Standard, Cable Screw 6Pin M Conn. F Pin
±0.5 mm		
SCALE	Free	SHEET 1 OF 1
REV. E	SIZE A4	@C : Inspection Item

**Amphenol LTW**  
 安費諾亮泰企業股份有限公司

ITEM NO	DRAWN BY	DATE
DWG NO	CHECKED BY	DATE
CUSTOMER	APPROVED BY	DATE
BBD-06PMFM-SL7AXX	Ruru	2017/09/27
ALTW	Rita	2017/09/27
	Max	2017/09/27

THIS DOCUMENT IS SUBJECT TO CHANGE WITHOUT NOTICE. IT IS CONFIDENTIAL AND A PROPERTY OF Amphenol LTW. DISCLOSED TO THIRD PARTY HAS TO BE AUTHORIZED BY Amphenol LTW.