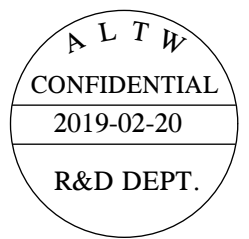
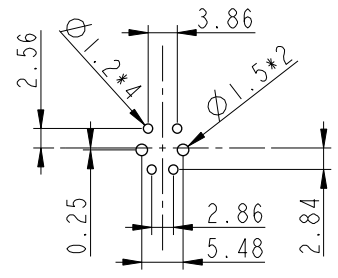
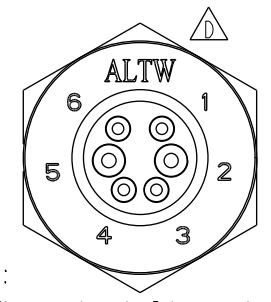
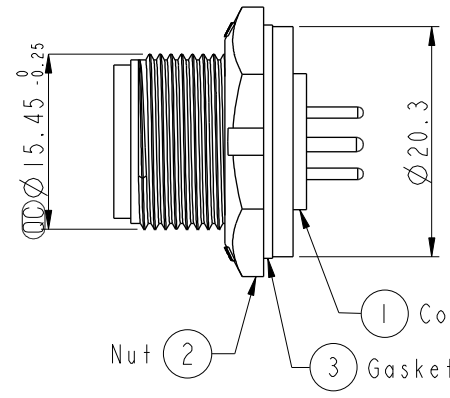
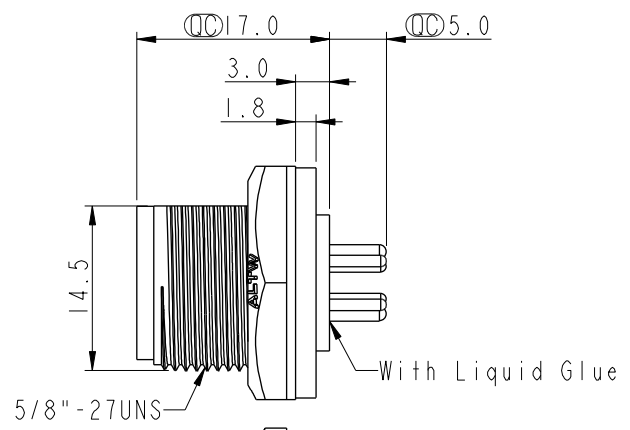


THIS DOCUMENT IS SUBJECT TO CHANGE WITHOUT NOTICE. IT IS CONFIDENTIAL AND A PROPERTY OF Amphenol LTW. DISCLOSURE TO THIRD PARTY HAS TO BE AUTHORIZED BY Amphenol LTW.

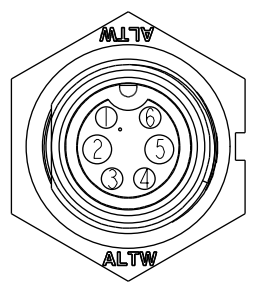
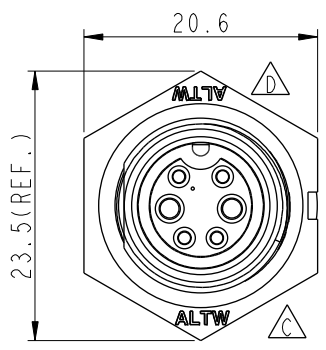
REV.	ECN NO.	DATE	SIGN	DESCRIPTION
C	LE3-8B0143	2008/11/07	Ivan	Change to pin hole
D	LEN1730292	2017/03/20	Ruru	Change Logo
E	CI90274	2019/02/20	Ruru	Modify Note



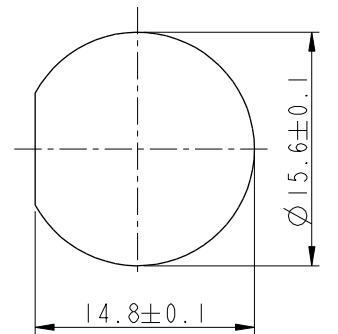
6Pin Male Connector  
Female Pin PCB Layout



- Note:**
- \*  $\text{CC}$  Important Dimensions To Check.
  - \* Waterproof Rate: IP67, Unmated
  - \* Housing: Thermoplastic, Black
  - \* Pin: Copper Alloy, Gold Plated
  - \* Nut: Thermoplastic, Black
  - \* Gasket: Rubber, Black
  - $\triangle A$ \* Use with Waterproof Cap or Dustcap  
Panel Thickness Max: 3.0mm
  - $\triangle B$ \* Use without Waterproof Cap or Dustcap  
Panel Thickness Max: 4.0mm
  - \* Gasket and Nut are packed separately in PE bags.



Pin Assignments  
Front View



Recommended Panel Cut-Out

UNIT:mm	Standard Panel Screw 6Pin M Conn F Pin		<b>Amphenol LTW</b> 安費諾亮泰企業股份有限公司		ITEM NO	BBD-06PMFP-SC7001	DRAWN BY	Ruru	DATE	2019/02/20
	TOLERANCE				SCALE	SIZE	DWG NO	BBD-06PMFP-SC7001	CHECKED BY	Rita
	.X ±0.25		1:1	A4	CUSTOMER	ALTW	APPROVED BY	Max	DATE	2019/02/20
	.XX ±0.1		REV.	E						
.XXX ±0.05		WC-REV.	A.3							
ANGLES ±1°										