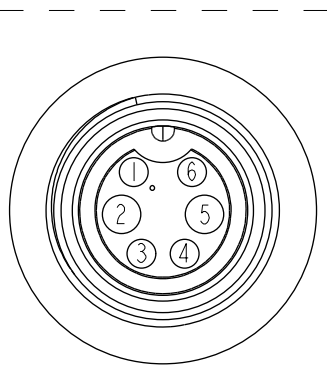
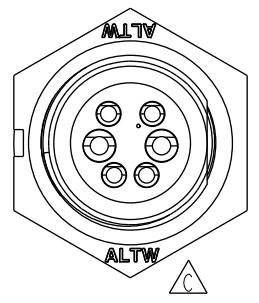
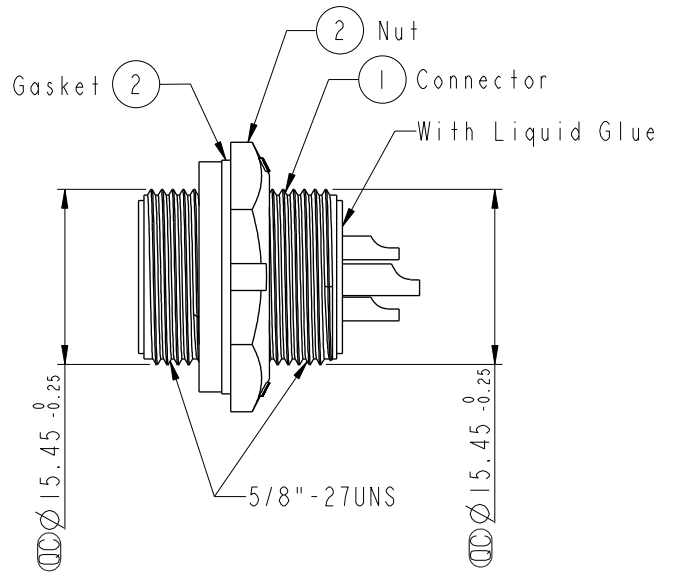
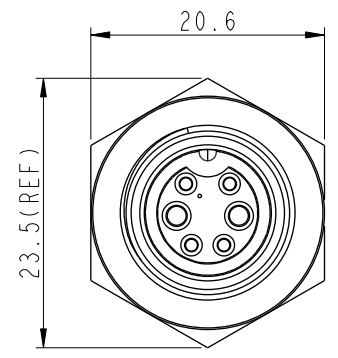
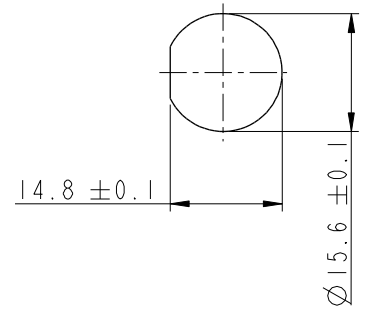


| REV. | ECN NO.    | DATE       | SIGN | DESCRIPTION               |
|------|------------|------------|------|---------------------------|
| B    | LEN-8B0568 | 2008/09/10 | Shin | Add Note                  |
| C    | CI90274    | 2019/02/20 | Ruru | Modify Note & Change Logo |

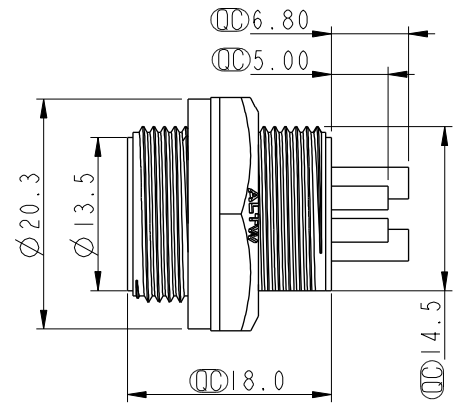
**ALTW**  
**CONFIDENTIAL**  
 2019-02-20  
**R&D DEPT.**



Pin Assignments  
Front View



Recommended Panel Cut-Out



Note:  $\triangle C$

- \*  $\text{⌀}$  Important Dimension To Check.
- \* Waterproof Rate: IP67, Unmated
- \* Housing: Thermoplastic, Black
- \* Pin: Copper Alloy, Gold Plated
- \* Nut: Thermoplastic, Black
- \* Gasket: Rubber, Black
- $\triangle B$ \* Use with waterproof cap or dust cap  
Panel Thickness Max: 4.0mm
- $\triangle A$ \* Use without waterproof cap or dust cap  
Panel Thickness Max: 5.0mm
- \* Gasket and Nut are packed separately in PE bags.

|  |   |     |         |                                      |                              |         |                   |          |             |      |            |                   |            |      |
|--|---|-----|---------|--------------------------------------|------------------------------|---------|-------------------|----------|-------------|------|------------|-------------------|------------|------|
| UNIT:mm<br>TOLERANCE<br>.X ±0.25<br>.XX ±0.1<br>.XXX ±0.05<br>ANGLES ±1° | TITLE<br>Standard, Rear Screw 6P M Conn F Pin |     |         | <b>Amphenol LTW</b><br>安費諾亮泰企業股份有限公司 |                              | ITEM NO | BBD-06RMFS-SC7001 | DRAWN BY | Ruru        | DATE | 2019-02-20 |                   |            |      |
|  | SCALE   | 1:1 | SIZE    |                                      |                              | A4      | SHEET             | 1        | OF          | 1    | DWG NO     | BBD-06RMFS-SC7001 | CHECKED BY | Rita |
|  | REV.  | C   | WC-REV. | A.3                                  | $\text{⌀}$ : Inspection item |         | CUSTOMER          | ALTW     | APPROVED BY | Max  | DATE       | 2019-02-20        |            |      |
|  | 2 3 4 5 6 7 8 W10814-03-01A2                  |     |         |                                      |                              |         |                   |          |             |      |            |                   |            |      |

THIS DOCUMENT IS SUBJECT TO CHANGE WITHOUT NOTICE. IT IS CONFIDENTIAL AND A PROPERTY OF AMPHENOL LTW. DISCLOSURE TO THIRD PARTY HAS TO BE AUTHORIZED BY AMPHENOL LTW.