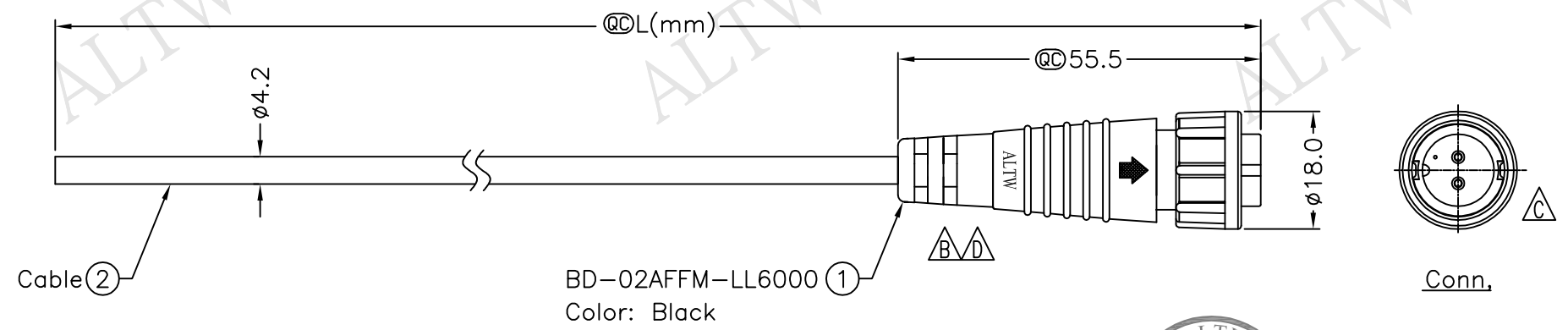
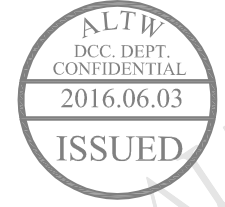


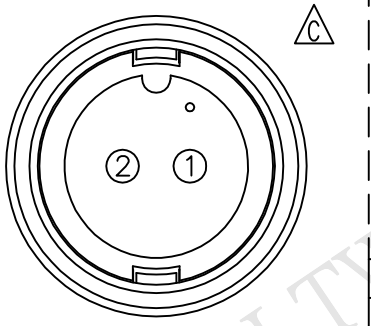
REV.	ECN NO.	DATE	SIGN	DESCRIPTION
B	LEN-080062	2010/08/12	Kevin Wang	Modify The SR. and Note
C	LEN-0C0478~481	2010/11/29	Ivan	Change View
D	LEN1660051~054	2016/05/27	Ruru	Change Logo



BD-02AFFM-LL6AXX
 ↑
 XX:01~99Meter
 01:01Meter
 02:02Meters
 :
 :
 99:99Meters
 Cable Length(L):01~99Meters



- Note:
- * @C Important Dimension To Check.
 - * Waterproof Rate: IP66
 - * Housing: Nylon+GF, Black
 - * Female Pin: Copper Alloy, Gold Plated
 - * Cable: Black, UL2464 24AWG*2C+D+Al/My PVC Jacket (UV Resistant) OD=4.2mm
 - * Cable Length Tolerance: 01M:±40mm
 02~05M:±60mm
 06~10M:±100mm
 11~30M:±200mm
 31~99M:±500mm



Pin Assignments
Front View

2	Red	紅
1	Black	藍
Conn.	Wire Color	
	Pin Out	

UNIT:mm		TITLE	Standard, Cable Lock 2Pin F Conn. F Pin	Amphenol LTW	ITEM NO	BD-02AFFM-LL6AXX	DRAWN BY	Ruru	DATE	2016/05/27
TOLERANCE	±0.5mm	SCALE	Free	安費諾亮泰企業股份有限公司	DWG NO	BD-02AFFM-LL6AXX	CHECKED BY	Rita	DATE	2016/05/27
REV.	D	SHEET	1 OF 1		CUSTOMER	ALTW	APPROVED BY	Lisa	DATE	2016/05/27
	SIZE	A4	@C :Inspection Item							

THIS DOCUMENT IS SUBJECT TO CHANGE WITHOUT NOTICE. IT IS CONFIDENTIAL AND A PROPERTY OF Amphenol LTW. DISCLOSURE TO THIRD PARTY HAS TO BE AUTHORIZED BY Amphenol LTW.