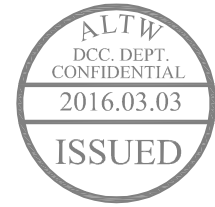
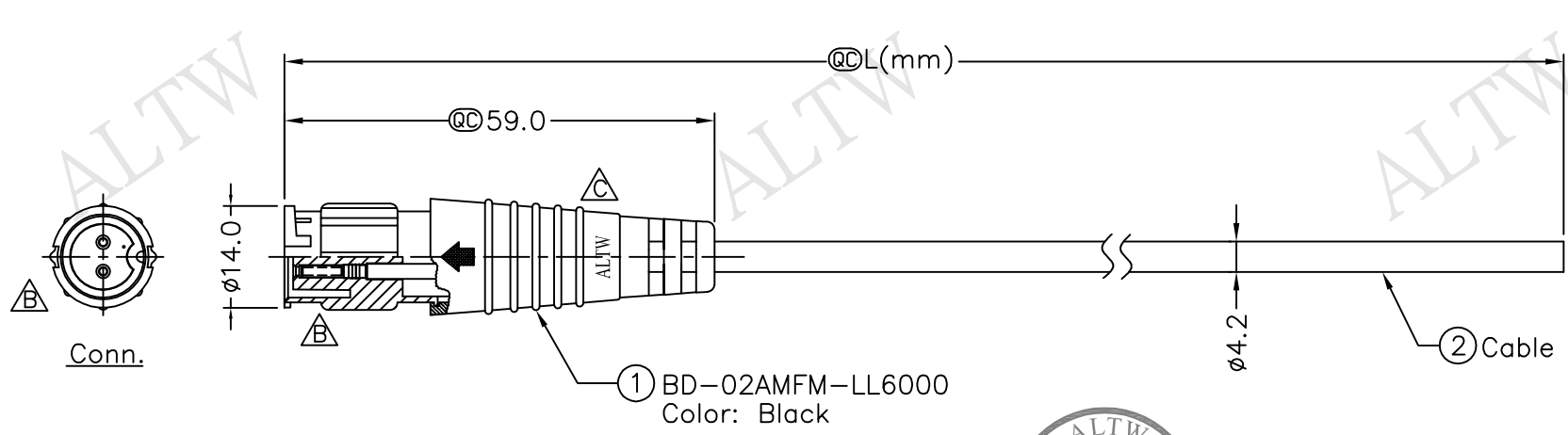


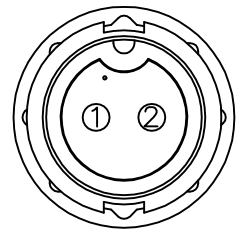
REV.	ECN NO.	DATE	SIGN	DESCRIPTION
B	LEN-0C0498~501	2010/11/29	Ivan	Change View
C	LEN1630021~024	2016/02/15	Ruru	Change Logo

THIS DOCUMENT IS SUBJECT TO CHANGE WITHOUT NOTICE. IT IS CONFIDENTIAL AND A PROPERTY OF Amphenol LTW. DISCLOSURE TO THIRD PARTY HAS TO BE AUTHORIZED BY Amphenol LTW.



BD-02AMFM-LL6AXX
 XX:01~99Meter
 01:01Meter
 02:02Meters
 ...
 99:99Meters
 Cable Length(L):01~99Meters

- Note:
- * @C Important Dimensions To Check.
 - * Waterproof Rate: IP66
 - * Housing: Nylon+GF, Black
 - * Female Pin: Copper Alloy, Gold Plated
 - * Cable: UL2464 24AWG*2C+Drain+Al/My PVC Jacket UV Resistant, OD=4.2, Black
 - * Cable Length Tolerance:
 - 01M:±40mm
 - 02M~05M:±60mm
 - 06M~10M:±100mm
 - 11M~30M:±200mm
 - 31M~99M:±500mm



Pin Assignments
Front View

2	Red	紅
1	Black	黑
Conn.	Wire Color	
	Pin Out	

UNIT:mm	
TOLERANCE	±0.5 mm

TITLE Standard,Cable Lock 2Pin M Conn. F Pin	
SCALE Free	SHEET 1 OF 1
REV. C	SIZE A4 @C :Inspection Item

Amphenol LTW
安費諾亮泰企業股份有限公司

ITEM NO	DRAWN BY Ruru	DATE 2016/02/15
DWG NO BD-02AMFM-LL6AXX	CHECKED BY Rita	DATE 2016/02/15
CUSTOMER ALTW	APPROVED BY Lisa	DATE 2016/02/15