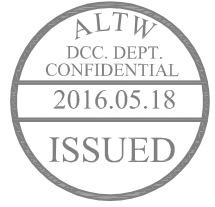
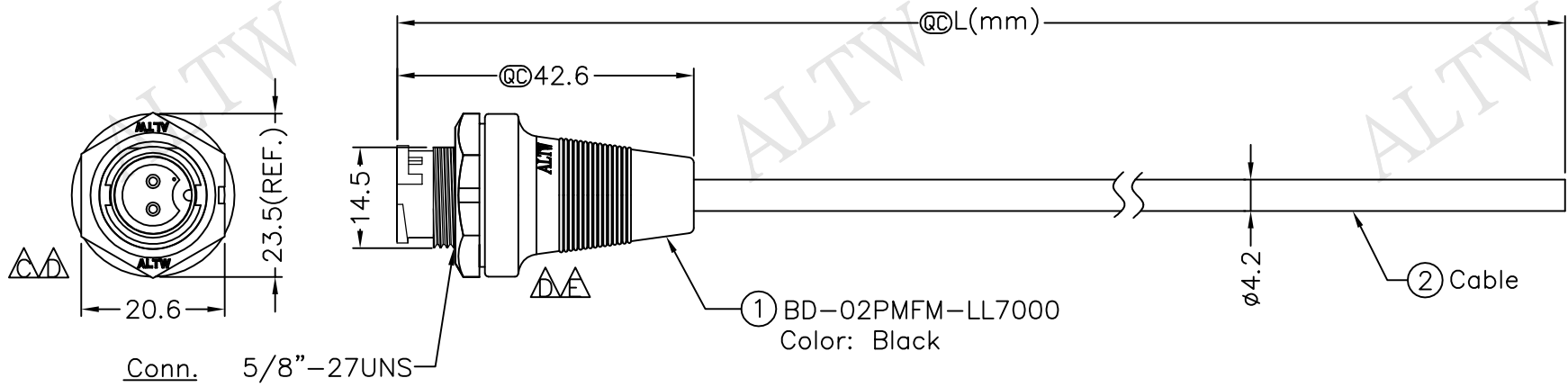


REV.	ECN NO.	DATE	SIGN	DESCRIPTION
C	LEN-8C0114~117	2008/11/07	TOMMY	Change To Pin Hole
D	LEN1610433~436	2016/01/21	Ruru	Change Logo & Note
E	LEN1650324~327	2016/05/10	Ruru	Modify Logo Position

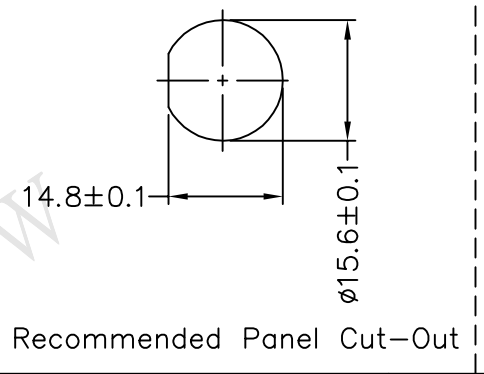
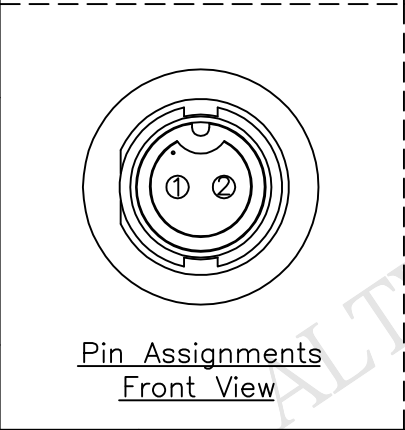
THIS DOCUMENT IS SUBJECT TO CHANGE WITHOUT NOTICE. IT IS CONFIDENTIAL AND A PROPERTY OF Amphenol LTW. DISCLOSE TO THIRD PARTY HAS TO BE AUTHORIZED BY Amphenol LTW.



BD-02PMFM-LL7AXX  
 XX:01~99Meter  
 01:01Meter  
 02:02Meters  
 ...  
 99:99Meters  
 Cable Length(L):01~99Meters

- Note:
- \* @D Important Dimensions To Check.
  - \* Waterproof Rate: IP67
  - \* Housing: Black,Nylon+GF
  - \* Female Pin: Copper Alloy,Gold Plated
  - \* Gasket: Black,EPDM
  - \* Nut: Black,Nylon+GF
  - \* Cable: UL2464 24AWG\*2C+Drain+Al/My Black,PVC Jacket UV Resistant, OD=4.2
  - △\* Use with waterproof cap or dust cap  
Panel Thickness Max: 2.5mm
  - △\* Use without waterproof cap or dust cap  
Panel Thickness Max: 3.5mm
  - △\* Cable Length Tolerance: 01M: ±40mm  
02M~05M: ±60mm  
06M~10M: ±100mm  
11M~30M: ±200mm  
31M~99M: ±500mm

2	Red	紅
1	Black	黑
Conn.	Wire Color	
Pin Out		



UNIT:mm		TITLE
TOLERANCE		Standard,Cable Lock 2Pin M Conn. F Pin
±0.5		SCALE Free SHEET 1 OF 1
REV. E	SIZE A4	QC :Inspection Item

**Amphenol LTW**  
 安費諾亮泰企業股份有限公司

ITEM NO	DRAWN BY	DATE
DWG NO	CHECKED BY	DATE
CUSTOMER	APPROVED BY	DATE
BD-02PMFM-LL7AXX	Ruru	2016/05/10
ALTW	Rita	2016/05/10
	Lisa	2016/05/10