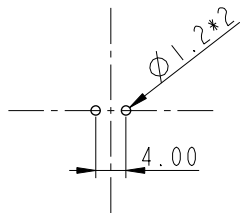
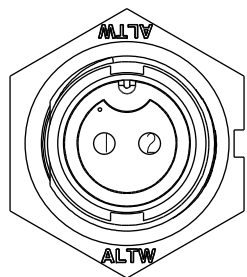
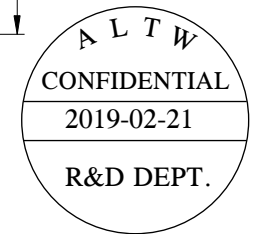
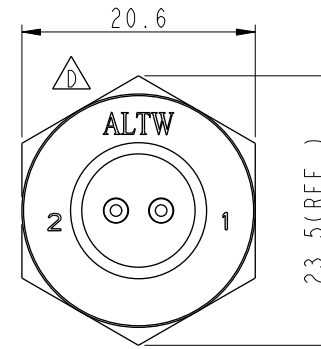
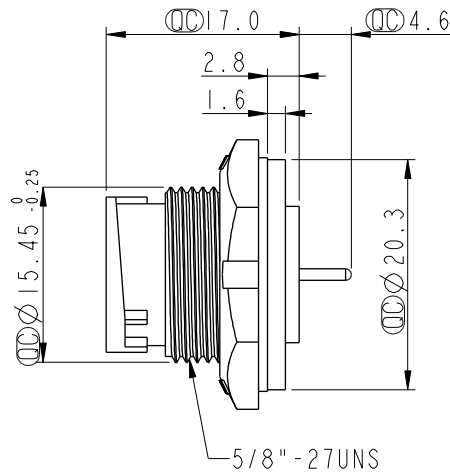
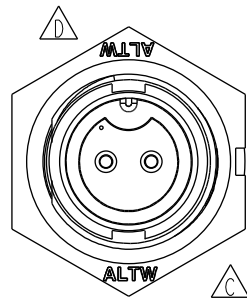


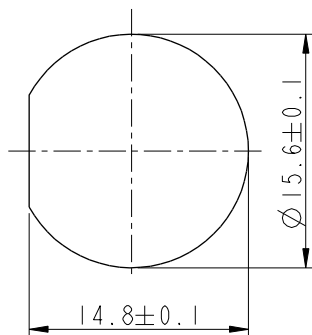
REV.	ECN NO.	DATE	SIGN	DESCRIPTION
C	LE3-8C0071	2008/11/07	Tommy	Change to pin hole
D	LEN1730294	2017/03/20	Ruru	Change Logo
E	CI90274	2019/02/21	Ruru	Modify Note



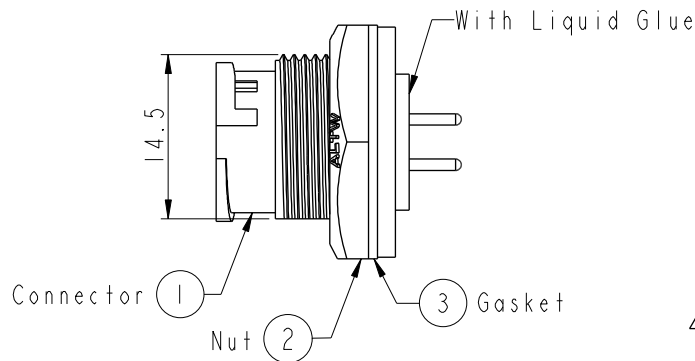
2Pin Male Connector
Female Pin PCB Layout



Pin Assignments
Front View



Recommended Panel Cut-Out



Note: \triangle E

- * ⌀ Important Dimensions To Check.
- * Waterproof Rate: IP67, Unmated
- * Housing: Thermoplastic, Black
- * Pin: Copper Alloy, Gold Plated
- * Nut: Thermoplastic, Black
- * Gasket: Rubber, Black
- \triangle B* Use with Waterproof Cap or Dustcap
Panel Thickness Max: 3.0mm
- \triangle B* Use without Waterproof Cap or Dustcap
Panel Thickness Max: 4.0mm
- * Gasket and Nut are packed separately in PE bags.

UNIT:mm		TITLE Standard Panel Lock 2Pin M Conn F Pin			ITEM NO BD-02PMFP-LC7001	DRAWN BY Ruru	DATE 2019-02-21
		TOLERANCE .X ±0.25 .XX ±0.1 .XXX ±0.05 ANGLES ±1°	SCALE 1:1	SIZE A4	SHEET 1 OF 1	DWG NO BD-02PMFP-LC7001	CHECKED BY Rita
		REV. E	WC-REV. A.3	⌀ : Inspection item	CUSTOMER ALTW	APPROVED BY Max	DATE 2019-02-21

Amphenol LTW
安費諾亮泰企業股份有限公司

THIS DOCUMENT IS SUBJECT TO CHANGE WITHOUT NOTICE. IT IS CONFIDENTIAL AND A PROPERTY OF Amphenol LTW. DISCLOSURE TO THIRD PARTY HAS TO BE AUTHORIZED BY Amphenol LTW.