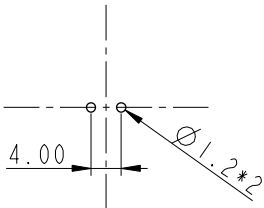
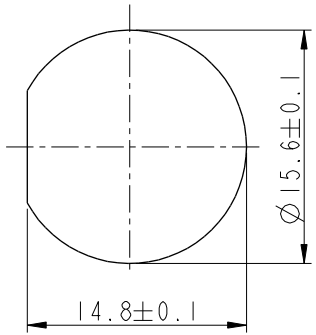
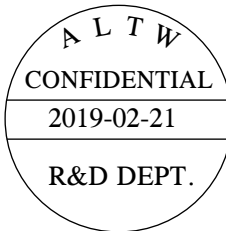
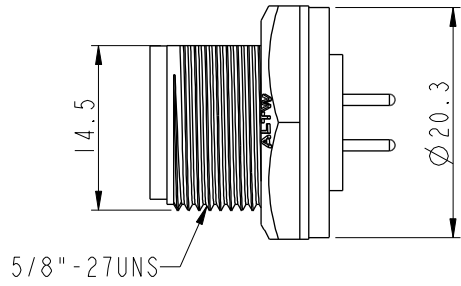


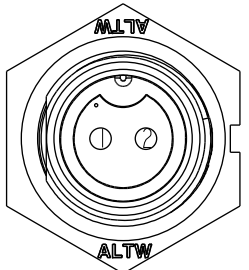
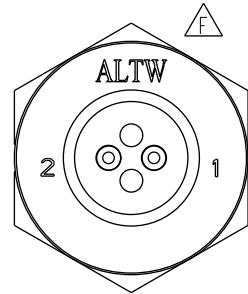
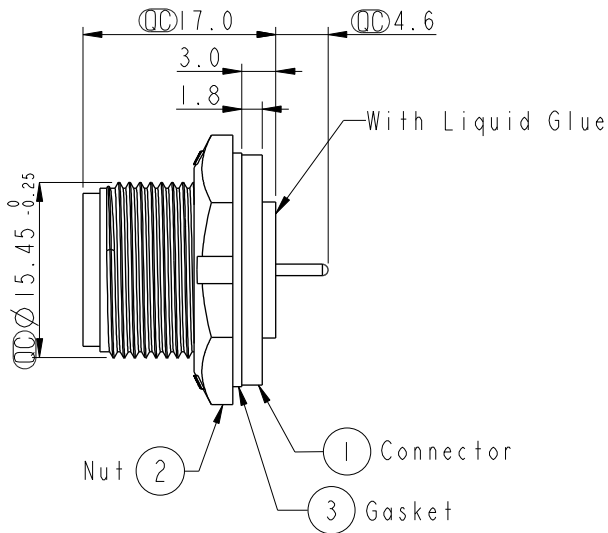
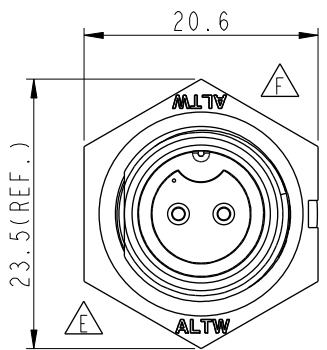
REV.	ECN NO.	DATE	SIGN	DESCRIPTION
E	LE3-8C0050	2008/11/07	Ivan	Change to pin hole
F	LEN1730302	2017/03/21	Ruru	Change Logo
G	CI90274	2019/02/21	Ruru	Modify Note



2Pin Male Connector  
Female Pin PCB Layout  
2 Pin 公接頭  
PCB接孔位置尺寸圖



Recommended Panel Cut-Out



Pin Assignments  
Front View

- Note:**
- \*  $\text{⌀}$  Important Dimensions To Check.
  - \* Waterproof Rate: IP67, Unmated
  - \* Housing: Thermoplastic, Black
  - \* Pin: Copper Alloy, Gold Plated
  - \* Nut: Thermoplastic, Black
  - \* Gasket: Rubber, Black
  - \* Use with Waterproof Cap or Dustcap  
Panel Thickness Max: 3.0mm
  - \* Use without Waterproof Cap or Dustcap  
Panel Thickness Max: 4.0mm
  - \* Gasket and Nut are packed separately in PE bags.

UNIT:mm 	TITLE Screw Type Connector For Panel Mount 2Pin Male Connector Female Pin(5A)			<b>Amphenol LTW</b> 安費諾亮泰企業股份有限公司		ITEM NO BD-02PMFP-SC7001	DRAWN BY Ruru	DATE 2017-03-21
	TOLERANCE .X ±0.25 .XX ±0.1 .XXX ±0.05 ANGLES ±1°					DWG NO BD-02PMFP-SC7001	CHECKED BY Rita	DATE 2017-03-21
	SCALE 1:1			SIZE A4	SHEET 1 OF 1	CUSTOMER ALTW	APPROVED BY Max	DATE 2017-03-21
	REV. G			WC-REV. A.3	$\text{⌀}$ : Inspection item			

THIS DOCUMENT IS SUBJECT TO CHANGE WITHOUT NOTICE. IT IS CONFIDENTIAL AND A PROPERTY OF Amphenol LTW. DISCLOSURE TO THIRD PARTY HAS TO BE AUTHORIZED BY Amphenol LTW.