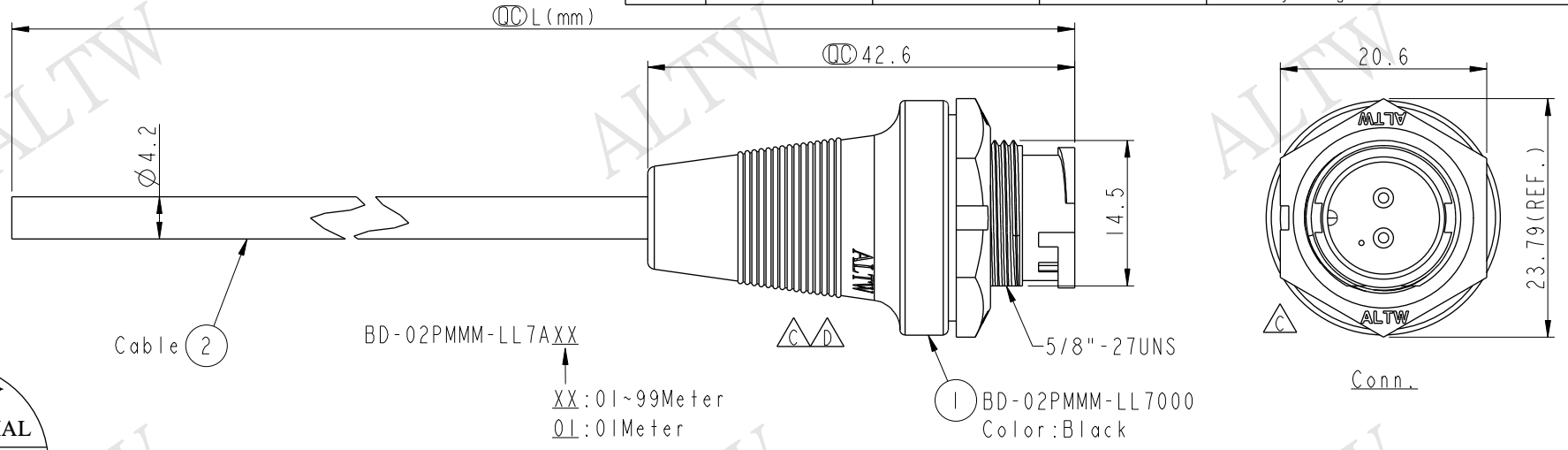


THIS DOCUMENT IS SUBJECT TO CHANGE WITHOUT NOTICE. IT IS CONFIDENTIAL AND A PROPERTY OF Amphenol LTW. DISCLOSURE TO THIRD PARTY HAS TO BE AUTHORIZED BY Amphenol LTW.

REV.	ECN NO.	DATE	SIGN	DESCRIPTION
B	LEN-8B0359-362	2008/09/10	Shin	Add Note
C	LEN15A0156-159	2015/09/23	Vicky	Update Logo & Note
D	LEN1650328-331	2016/05/11	Ruru	Modify Logo Position



ALTW
 CONFIDENTIAL
 2016-05-11
 R&D DEPT.

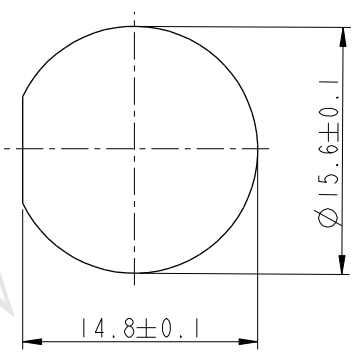
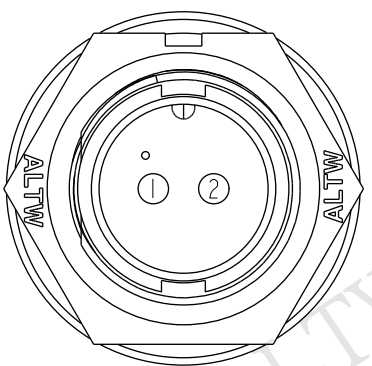
Cable ② BD-02PMMM-LL7AXX
 XX: 01~99Meter
 01: 01Meter
 02: 02Meters
 ...
 99: 99Meters
 Cable Length(L): 01~99Meters

Note:

- * ϕ Important Dimensions To Check
- * Waterproof Rate: IP67
- * Housing: Nylon+GF, Black
- * Male Pin: Copper Alloy, Gold Plated
- * Cable: UL2464 24#*2C+D+Al/My,UV, PVC Jacket, Black, OD=4.2mm

$\triangle B$ * Use with waterproof cap or dust cap
 Panel Thickness Max: 2.5mm
 $\triangle B$ * Use without waterproof cap or dust cap
 Panel Thickness Max: 3.5mm
 $\triangle C$ * Cable Length Tolerance: 1M: ± 40 mm
 2M~5M: ± 60 mm
 6M~10M: ± 100 mm
 11M~30M: ± 200 mm
 31M~99M: ± 500 mm

ALTW
 DCC. DEPT.
 CONFIDENTIAL
 2016.05.18
 ISSUED



2	Red	紅
1	Black	黑
Conn.	Wire Color	
	Pin Out	

Pin Assignments Front View

Recommended Panel Cut-Out

UNIT:mm	
TOLERANCE	± 0.5 mm

TITLE Standard Cable Lock 2Pin M Conn M Pin			
SCALE 3:2	SIZE A4	SHEET 1 OF 1	
REV. D	WC-REV. A.1	ϕ : Inspection item	

Amphenol LTW
 安費諾亮泰企業股份有限公司

ITEM NO	DRAWN BY	DATE
DWG NO BD-02PMMM-LL7AXX	Ruru	2016-05-11
CUSTOMER ALTW	CHECKED BY Rita	DATE 2016-05-11
	APPROVED BY Lisa	DATE 2016-05-11