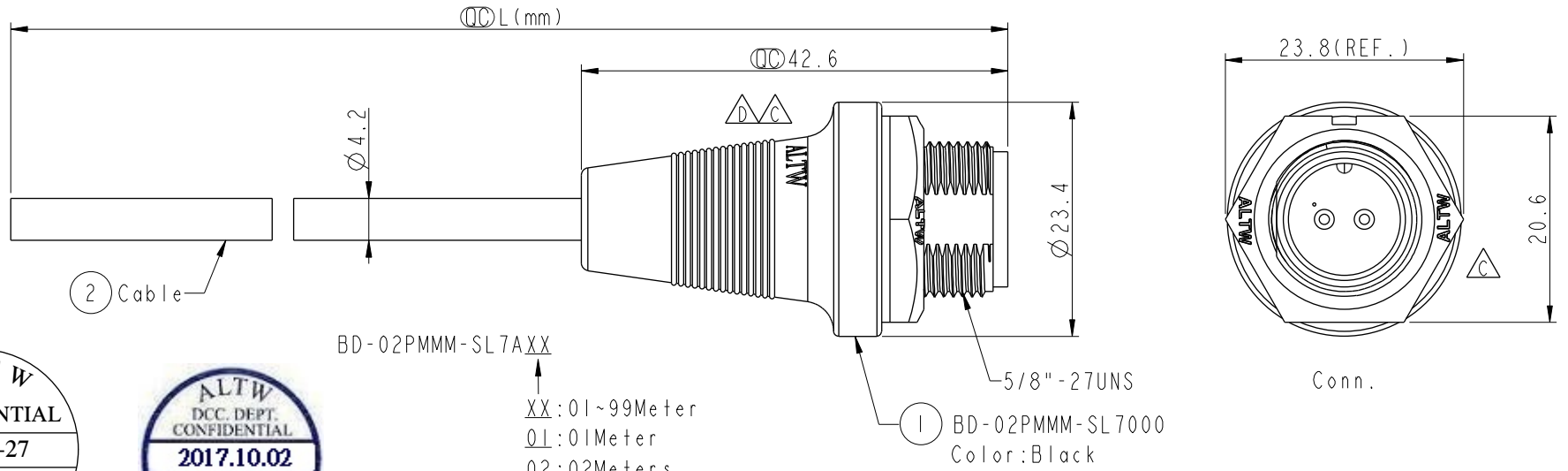


REV.	ECN NO.	DATE	SIGN	DESCRIPTION
B	LEN-8B0483-486	2008/09/10	Shin	Add Note
C	LEN15A0161-164	2015/09/23	Vicky	Update Logo & Note
D	LEN17A0004-007	2017/09/27	Ruru	Update View

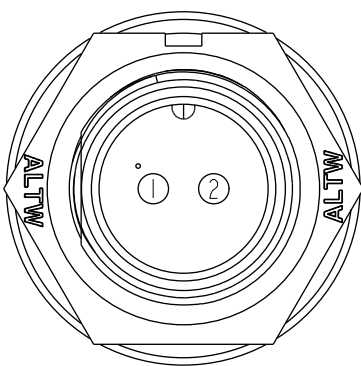


ALTW
CONFIDENTIAL
2017-09-27
R&D DEPT.

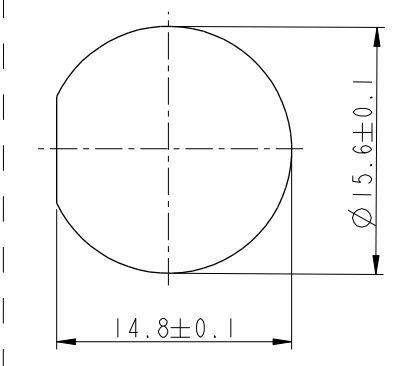
ALTW
DCC. DEPT.
CONFIDENTIAL
2017.10.02
ISSUED

BD-02PMMM-SL7AXX
XX:01~99Meter
01:01Meter
02:02Meters
...
99:99Meters
Cable Length(L):01~99Meters

- Note:
- * CC Important Dimensions To Check
 - * Waterproof Rate: IP67
 - * Housing: Nylon+GF, Black
 - * Male Pin: Copper Alloy, Gold Plated
 - * Cable: UL2464 24#*2C+D+Al/My,UV, PVC Jacket, Black, OD=4.2mm
 - $\triangle A$ * Use with waterproof cap or dust cap
Panel Thickness Max: 2.5mm
 - $\triangle B$ * Use without waterproof cap or dust cap
Panel Thickness Max: 3.5mm
 - $\triangle C$ * Cable Length Tolerance: 1M:±40mm
2M~5M:±60mm
6M~10M:±100mm
11M~30M:±200mm
31M~99M:±500mm



Pin Assignments
Front View



Recommended Panel Cut-Out

2	Red	紅
1	Black	黑
Conn.	Wire Color	
	Pin Out	

UNIT:mm
TOLERANCE
±0.5 mm

TITLE
Standard
Cable Screw 2Pin M Conn M Pin
SCALE 3:2 SIZE A4 SHEET 1 OF 1
REV. D WC-REV. A.1 CC : Inspection item

Amphenol LTW
安費諾亮泰企業股份有限公司

ITEM NO	DRAWN BY	DATE
DWG NO BD-02PMMM-SL7AXX	Ruru	2017-09-27
CUSTOMER ALTW	CHECKED BY Rita	DATE 2017-09-27
	APPROVED BY Max	DATE 2017-09-27

THIS DOCUMENT IS SUBJECT TO CHANGE WITHOUT NOTICE. IT IS CONFIDENTIAL AND A PROPERTY OF Amphenol LTW. DISCLOSURE TO THIRD PARTY HAS TO BE AUTHORIZED BY Amphenol LTW.