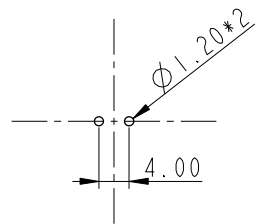
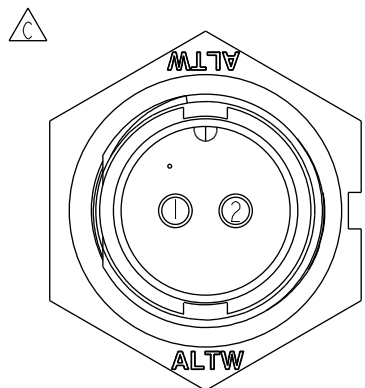
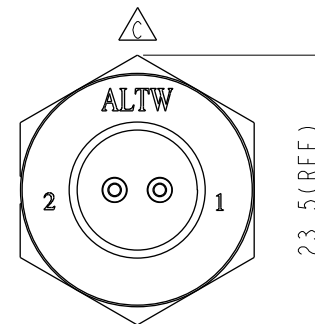
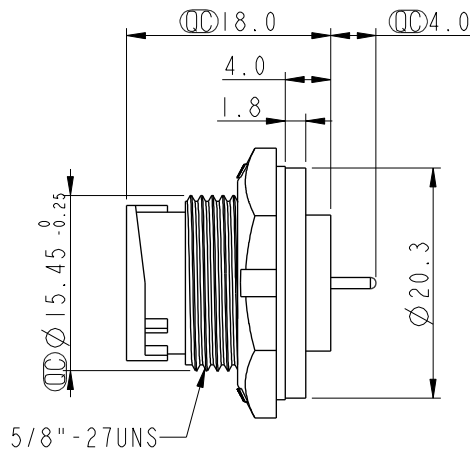
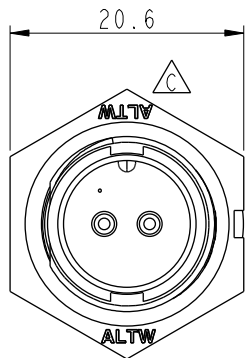


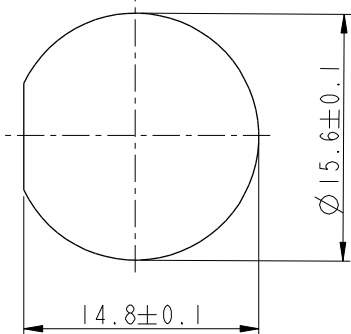
REV.	ECN NO.	DATE	SIGN	DESCRIPTION
B	LEN-8B0363	2008/09/17	Shin	Add Note
C	LEN1540245	2014/12/23	Jinhai	Change Logo
D	CI90274	2019/02/21	Ruru	Modify Note



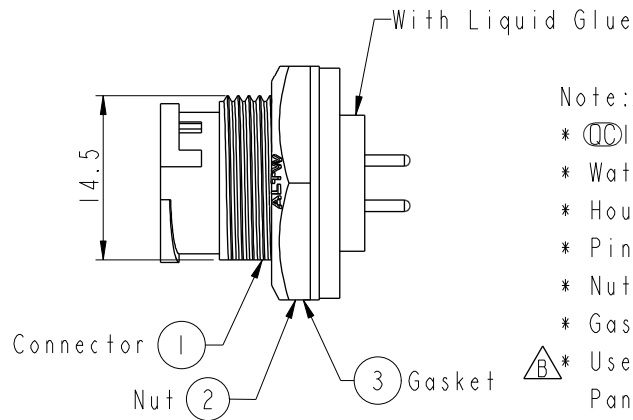
2Pin Male Connector  
Male Pin PCB Layout



Pin Assignments  
Front View



Recommended Panel Cut-out



Note:  $\triangle$

- \*  $\text{⌀}$  Important Dimension To Check.
- \* Waterproof Rate: IP67, Unmated
- \* Housing: Thermoplastic, Black
- \* Pin: Copper Alloy, Gold Plated
- \* Nut: Thermoplastic, Black
- \* Gasket: Rubber, Black

$\triangle$ \* Use With Waterproof Cap Or Dust Cap  
Panel Thickness Max: 3.0mm

$\triangle$ \* Use Without Waterproof Cap Or Dust Cap  
Panel Thickness Max: 4.5mm

\* Gasket and Nut are packed separately  
in PE bags.

UNIT:mm		
TOLERANCE		
.X	±0.25	
.XX	±0.1	
.XXX	±0.05	
ANGLES	±1°	

TITLE Standard Panel Lock 2Pin M Conn M Pin			
SCALE 2:1	SIZE A4	SHEET 1 OF 1	
REV. D	WC-REV. A.3	$\text{⌀}$ : Inspection item	

**Amphenol LTW**  
安費諾亮泰企業股份有限公司

ITEM NO. BD-02PMMP-LC7001	DRAWN BY Ruru	DATE 2019-02-21
DWG NO. BD-02PMMP-LC7001	CHECKED BY Rita	DATE 2019-02-21
CUSTOMER ALTW	APPROVED BY Max	DATE 2019-02-21

THIS DOCUMENT IS SUBJECT TO CHANGE WITHOUT NOTICE. IT IS CONFIDENTIAL AND A PROPERTY OF AMPHENOL LTW. DISCLOSURE TO THIRD PARTY HAS TO BE AUTHORIZED BY AMPHENOL LTW.