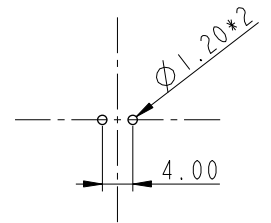
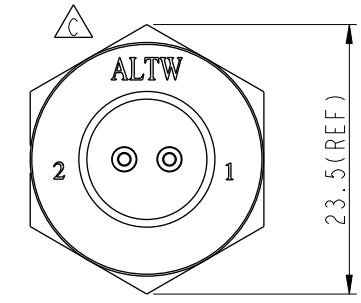
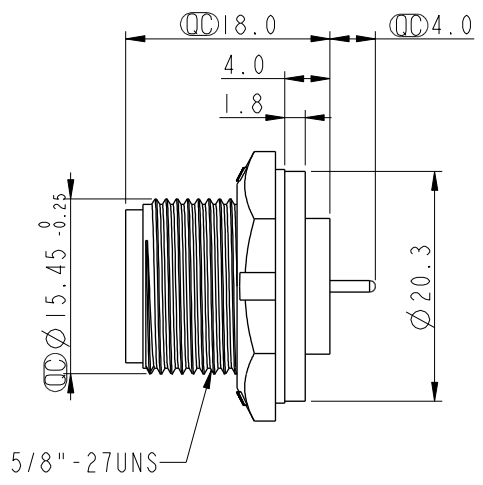
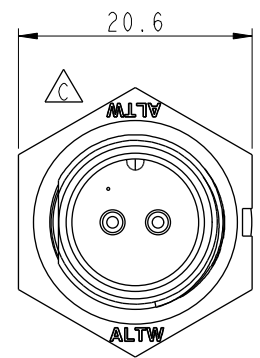


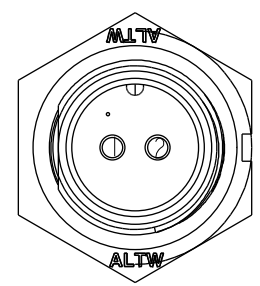
THIS DOCUMENT IS SUBJECT TO CHANGE WITHOUT NOTICE. IT IS CONFIDENTIAL AND A PROPERTY OF AMPHENOL LTW. DISCLOSURE TO THIRD PARTY HAS TO BE AUTHORIZED BY AMPHENOL LTW.

REV.	ECN NO.	DATE	SIGN	DESCRIPTION
B	LEN-8B0487	2008/09/17	Shin	Add Note
C	LEN1730270	2017/03/17	Ruru	Change Logo
D	CI90274	2019/02/21	Ruru	Modify Note

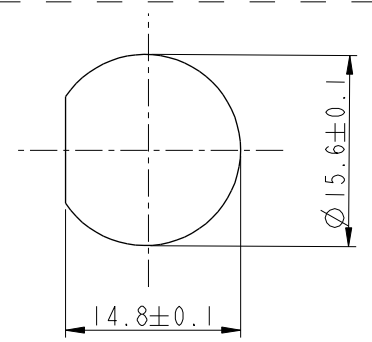
**ALTW**  
 CONFIDENTIAL  
 2019-02-21  
 R&D DEPT.



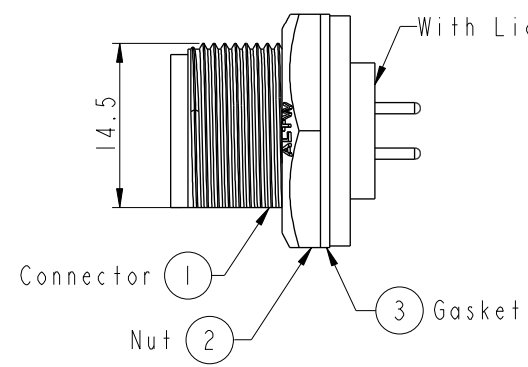
2Pin Male Connector  
Male Pin PCB Layout



Pin Assignments  
Front View



Recommended Panel Cut-out



Note:  $\triangle D$

- \*  $\text{CC}$  Important Dimension To Check.
- \* Waterproof Rate: IP67, Unmated
- \* Housing: Thermoplastic, Black
- \* Pin: Copper Alloy, Gold Plated
- \* Nut: Thermoplastic, Black
- \* Gasket: Rubber, Black
- $\triangle B$ \* Use With Waterproof Cap Or Dust Cap  
Panel Thickness Max: 3.0mm
- $\triangle A$ \* Use Without Waterproof Cap Or Dust Cap  
Panel Thickness Max: 4.0mm
- \* Gasket and Nut are packed separately in PE bags.

UNIT:mm	
TOLERANCE	
.X	$\pm 0.25$
.XX	$\pm 0.1$
.XXX	$\pm 0.05$
ANGLES	$\pm 1^\circ$

TITLE Standard Panel Screw 2Pin M Conn M Pin			
SCALE 2:1	SIZE A4	SHEET 1 OF 1	
REV. D	WC-REV. A.3	$\text{CC}$ : Inspection item	

**Amphenol LTW**  
 安費諾亮泰企業股份有限公司

ITEM NO. BD-02PMMP-SC7001	DRAWN BY Ruru	DATE 2019-02-21
DWG NO. BD-02PMMP-SC7001	CHECKED BY Rita	DATE 2019-02-21
CUSTOMER ALTW	APPROVED BY Max	DATE 2019-02-21