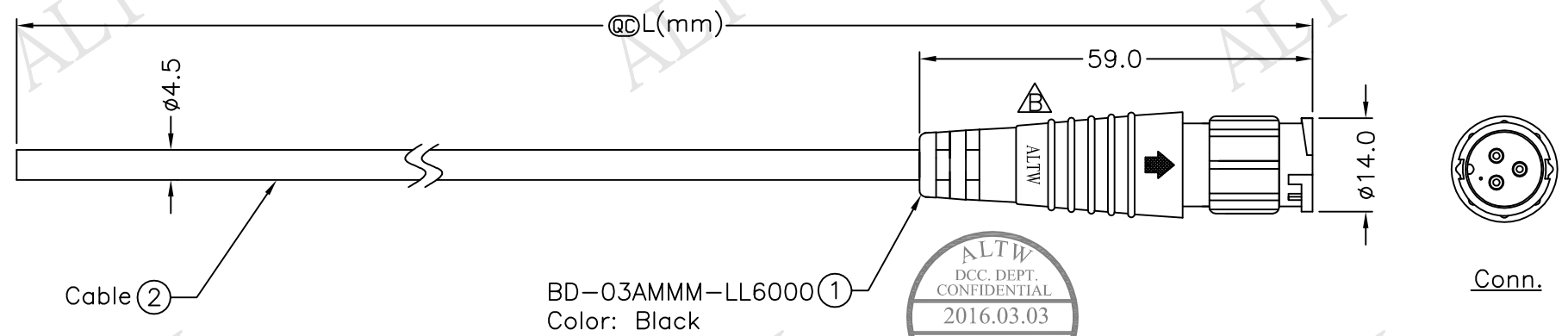
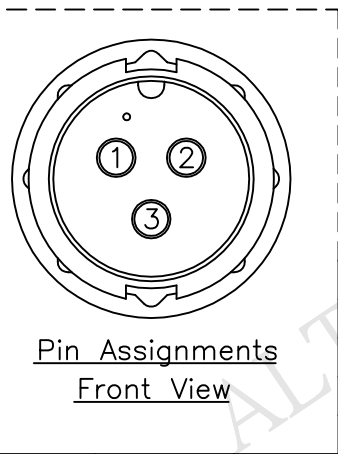
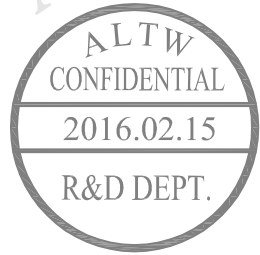


| | | | |
|--------|------------------------|-----------------|--------------------------------|
| 5 | 6 | 7 | 8 |
| REV. B | ECN NO. LEN1630033~036 | DATE 2016/02/15 | SIGN Ruru |
| | | | DESCRIPTION Change Logo & Note |



BD-03AMMM-LL6000 ①
Color: Black

BD-03AMMM-LL6AXX
XX:01~99Meter
01:01Meter
02:02Meters
:
:
99:99Meters
Cable Length(L):01~99Meters



| | |
|-------|------------|
| 3 | Black |
| 2 | Blue |
| 1 | Brown |
| Conn. | Wire Color |
| | Pin Out |

- Note:
- * @C Important Dimension To Check.
 - * Waterproof Rate: IP66
 - * Connector: Nylon+GF, Black
 - * Pin: Copper Alloy, Gold Plated
 - * Cable: UL2464 24AWG*3C+Drain+Al/My PVC Jacket UV Resistant OD=4.5mm, Black
 - * Cable Length Tolerance: 01M: ±40mm
02M~05M: ±60mm
06M~10M: ±100mm
11M~30M: ±200mm
31M~99M: ±500mm

| | |
|-----------|---------|
| UNIT:mm | |
| TOLERANCE | ±0.5 mm |

| | | |
|--------|---------------------------------------|---------------------|
| TITLE | Standard Cable Lock 3Pin M Conn M Pin | |
| SCALE | Free | SHEET 1 OF 1 |
| REV. B | SIZE A4 | @C :Inspection Item |

Amphenol LTW
安費諾亮泰企業股份有限公司

| | |
|----------|------------------|
| ITEM NO | |
| DWG NO | BD-03AMMM-LL6AXX |
| CUSTOMER | ALTW |

| | |
|-------------|------|
| DRAWN BY | Ruru |
| CHECKED BY | Rita |
| APPROVED BY | Lisa |

| | |
|------|------------|
| DATE | 2016/02/15 |
| DATE | 2016/02/15 |
| DATE | 2016/02/15 |

THIS DOCUMENT IS SUBJECT TO CHANGE WITHOUT NOTICE. IT IS CONFIDENTIAL AND A PROPERTY OF Amphenol LTW. DISCLOSURE TO THIRD PARTY HAS TO BE AUTHORIZED BY Amphenol LTW.

A B C D E F

1 2 3 4 5 6 7 8