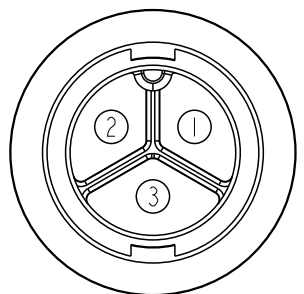
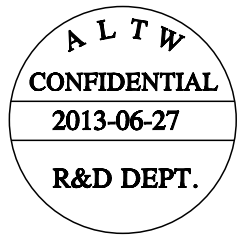
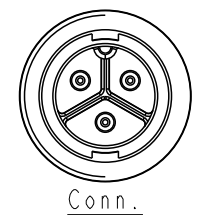
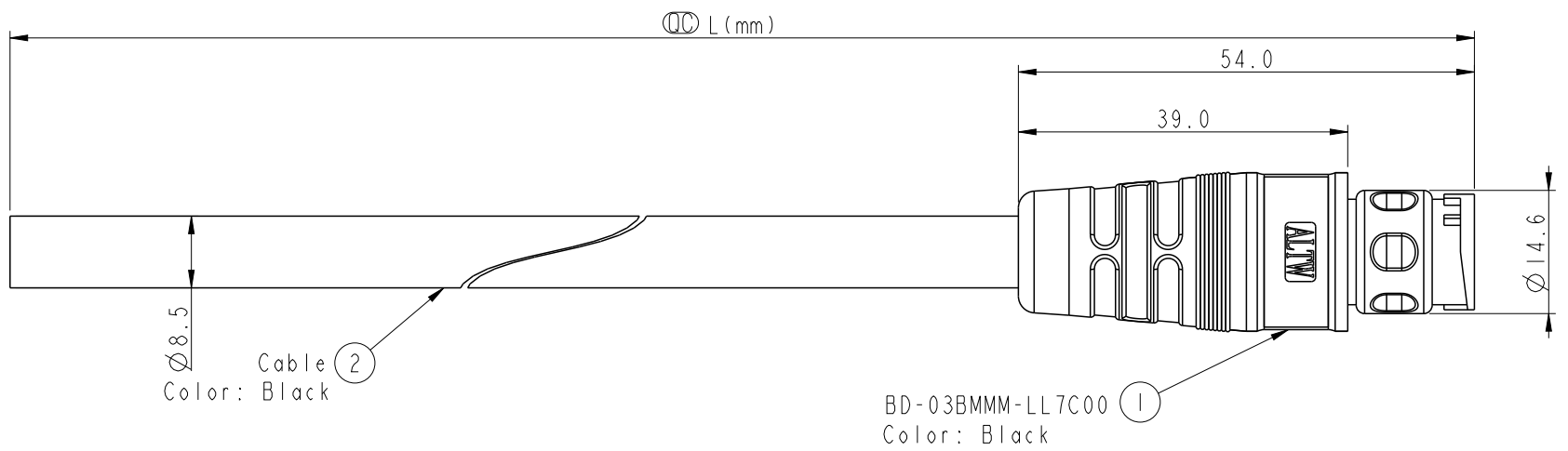


THIS DOCUMENT IS SUBJECT TO CHANGE WITHOUT NOTICE. IT IS CONFIDENTIAL AND A PROPERTY OF Amphenol LTW. DISCLOSURE TO THIRD PARTY HAS TO BE AUTHORIZED BY Amphenol LTW.

REV.	ECN NO.	DATE	SIGN	DESCRIPTION
A	Release	2013-06-27	Kevin Wang	



Pin Assignments
Front View

3	Green	綠
2	White	白
1	Black	黑
Conn.	Wire Color	
Pin Out		

BD-03BMMM-LL7CXX

- XX : 01~99Meters
- 01 : 01Meter
- 02 : 02Meters
- :
- :
- 99 : 99Meters

Cable Length(L): 01~99Meters

- Note:
- * $\text{\textcircled{C}}$ Important Dimension To Check.
 - * Waterproof Rate: IP67
 - * Housing: M-PPE, Black.
 - * Male Pin: Copper Alloy, Gold Plated.
 - * Cable: TC-ER 18AWG*3C+Filler, PVC Jacket, UV Resistant, OD=8.5, Black.
 - * Connector Temperature: -40~+105°C
 - * Cable Temperature: -40~+90°C (Static application)
-25~90°C (Occasionally moving)
 - * Working Voltage Rating: 300V AC
 - * Working Current Rating: 5A
 - * Withstanding Voltage: 6KV
 - * Cable Length Tolerance: 01M: ±40mm
02M~05M: ±60mm
11M~30M: ±200mm
31M~99M: ±500mm

UNIT: mm		
TOLERANCE		
.X	±0.25	
.XX	±0.1	
.XXX	±0.05	
ANGLES	±1°	

TITLE STANDARD CABLE LOCK 3P M CONN M PIN			
SCALE 2:1	SIZE A4	SHEET 1 OF 1	
REV. A	WC-REV. A.5	$\text{\textcircled{C}}$: Inspection item	

Amphenol LTW
安費諾亮泰企業股份有限公司

ITEM NO	DRAWN BY Kevin	DATE 2013-06-27
DWG NO BD-03BMMM-LL7CXX	CHECKED BY Micky	DATE 2013-06-27
CUSTOMER ALTW	APPROVED BY Maslow	DATE 2013-06-27