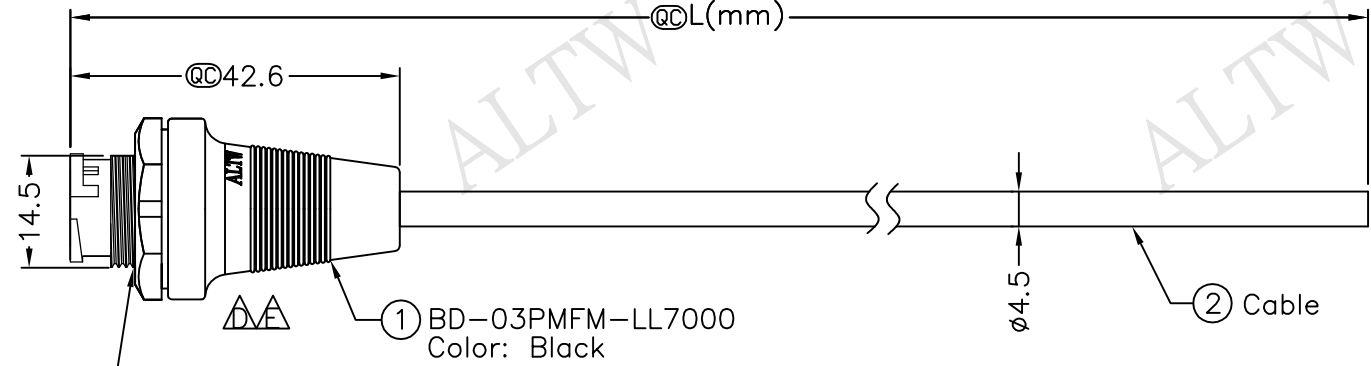
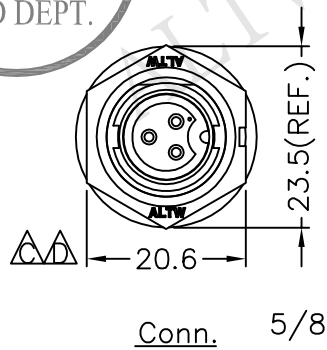
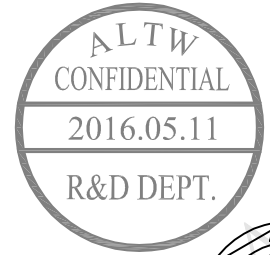
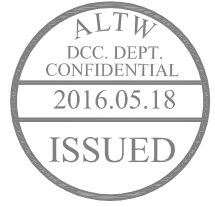


REV.	ECN NO.	DATE	SIGN	DESCRIPTION
C	LEN-8C0107~110	2008/11/07	TOMMY	Change To Pin Hole
D	LEN1610323~326	2016/01/19	Ruru	Change Logo & Note
E	LEN1650332~335	2016/05/11	Ruru	Modify Logo Position



3	Black	黑
2	Blue	藍
1	Brown	棕
Conn.	Wire Color	



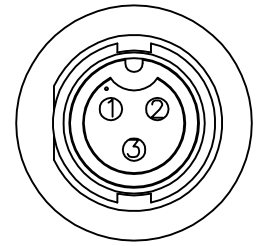
BD-03PMFM-LL7AXX

- XX:01~99Meter
- 01:01Meter
- 02:02Meters
- ...
- 99:99Meters

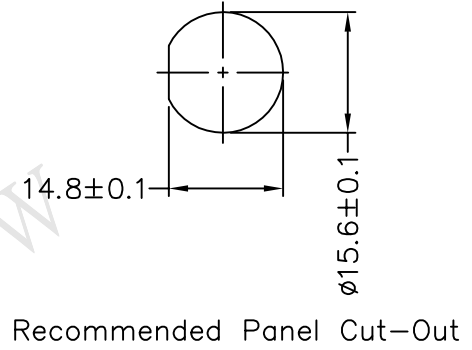
Cable Length(L):01~99Meters

Note:

- * @C Important Dimensions To Check.
- * Waterproof Rate: IP67
- * Housing: Black,Nylon+GF
- * Female Pin: Copper Alloy,Gold Plated
- * Gasket: Black,EPDM
- * Nut: Black,Nylon+GF
- * Cable: UL2464 24AWG*3C+Drain+Al/My Black,PVC Jacket UV Resistant, OD=4.5
- △* Use with waterproof cap or dust cap Panel Thickness Max: 2.5mm
- △* Use without waterproof cap or dust cap Panel Thickness Max: 3.5mm
- △* Cable Length Tolerance: 01M: ±40mm
02M~05M: ±60mm
06M~10M: ±100mm
11M~30M: ±200mm
31M~99M: ±500mm



Pin Assignments Front View



Recommended Panel Cut-Out

UNIT:mm		TITLE
TOLERANCE	±0.5	Standard,Cable Lock 3Pin M Conn. F Pin
SCALE	Free	SHEET 1 OF 1
REV. E	SIZE A4	@C :Inspection Item

Amphenol LTW
安費諾亮泰企業股份有限公司

ITEM NO	DRAWN BY	DATE
DWG NO	CHECKED BY	DATE
CUSTOMER	APPROVED BY	DATE
	Ruru	2016/05/11
BD-03PMFM-LL7AXX	Rita	2016/05/11
ALTW	Lisa	2016/05/11

THIS DOCUMENT IS SUBJECT TO CHANGE WITHOUT NOTICE. IT IS CONFIDENTIAL AND A PROPERTY OF AMPHENOL LTW. DISCLOSURE TO THIRD PARTY HAS TO BE AUTHORIZED BY AMPHENOL LTW.