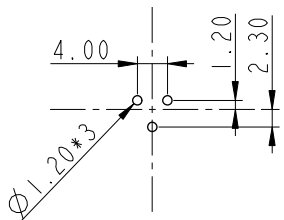
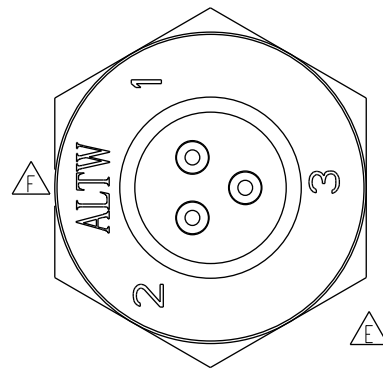
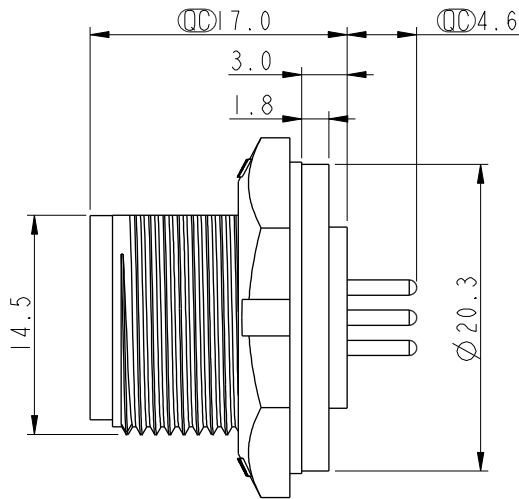
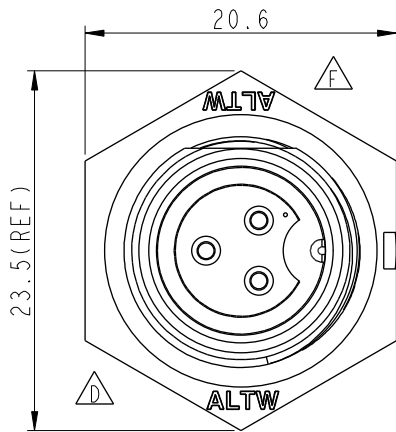
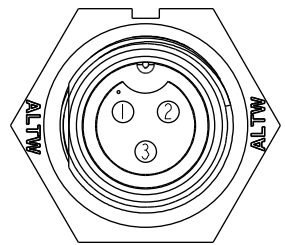


ALTW
 CONFIDENTIAL
 2019-02-22
 R&D DEPT.

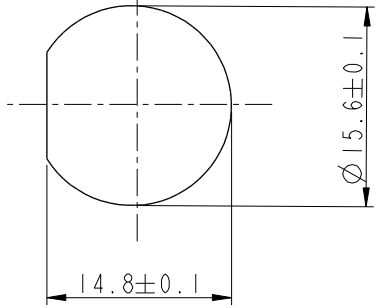
REV.	ECN NO.	DATE	SIGN	DESCRIPTION
E	LEN-960183	2009/06/17	Li Xiu Zhi	Change Mark
F	LEN1730304	2017/03/21	Ruru	Change Logo
G	CI90274	2019/02/22	Ruru	Modify Note



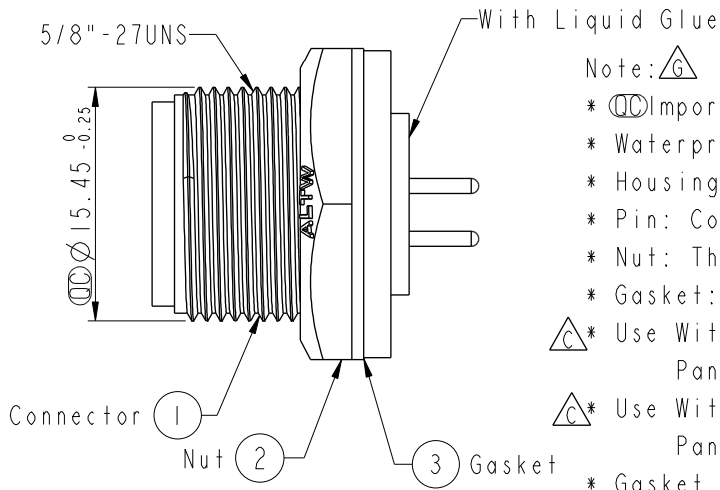
PCB Lay-out



Pin Assignments
 Front View



Recommended Panel Cut-out

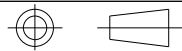


Note: \triangle

- * CC Important Dimension To Check.
- * Waterproof Rate: IP67, Unmated
- * Housing: Thermoplastic, Black
- * Pin: Copper Alloy, Gold Plated
- * Nut: Thermoplastic, Black
- * Gasket: Rubber, Black

- \triangle * Use With Waterproof Cap Or Dust Cap
 Panel Thickness Max: 3.0mm
- \triangle * Use Without Waterproof Cap Or Dust Cap
 Panel Thickness Max: 4.0mm
- * Gasket and Nut are packed separately
 in PE bags.

UNIT:mm



TITLE
 Standard
 Panel Screw 3Pin M Conn F Pin

Amphenol LTW
 安費諾亮泰企業股份有限公司

ITEM NO.	DRAWN BY	DATE
BD-03PMFP-SC7001	Ruru	2019-02-22
DWG NO.	CHECKED BY	DATE
BD-03PMFP-SC7001	Rita	2019-02-22
CUSTOMER	APPROVED BY	DATE
ALTW	Max	2019-02-22

TOLERANCE	
.X	±0.25
.XX	±0.1
.XXX	±0.05
ANGLES	±1°

SCALE	SIZE	SHEET	OF
2:1	A4	1	1
REV.	WC-REV.	CC : Inspection item	
G	A.3		

THIS DOCUMENT IS SUBJECT TO CHANGE WITHOUT NOTICE. IT IS CONFIDENTIAL AND A PROPERTY OF Amphenol LTW. DISCLOSURE TO THIRD PARTY HAS TO BE AUTHORIZED BY Amphenol LTW.