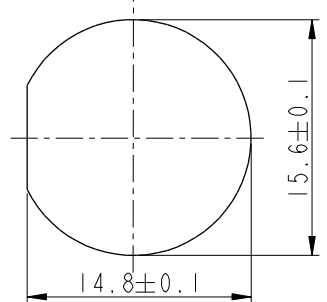
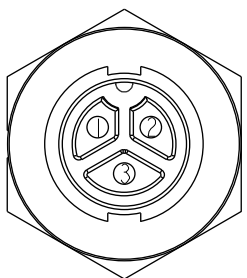
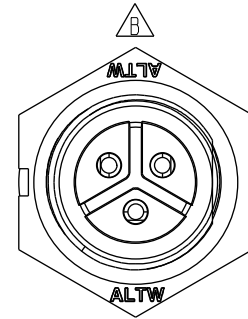
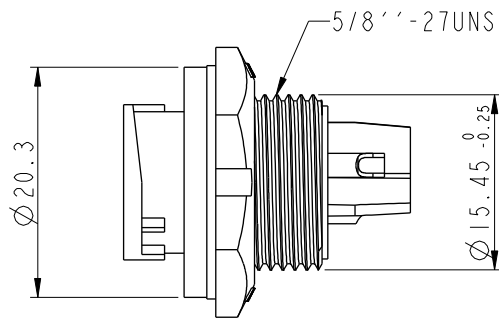
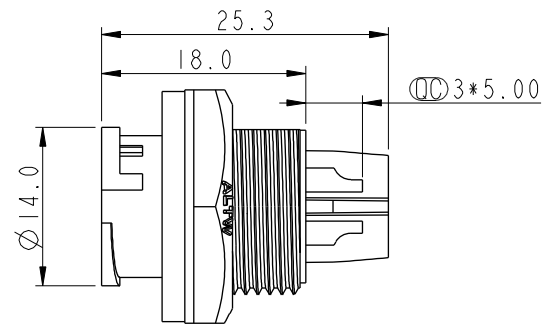
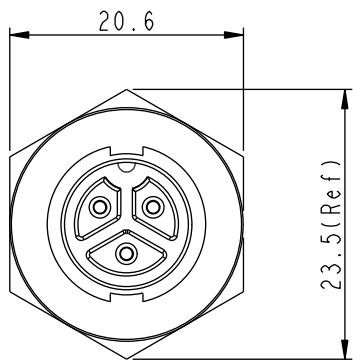
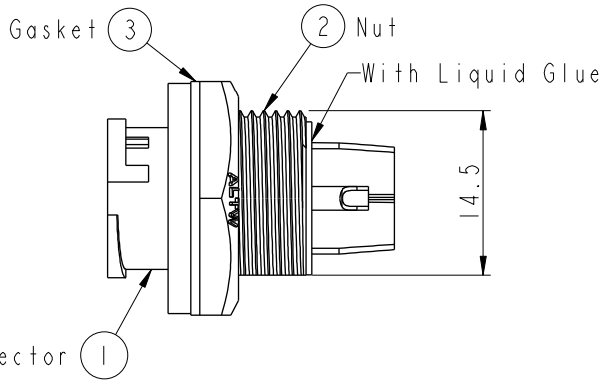


REV.	ECN NO.	DATE	SIGN	DESCRIPTION
A	Release	2013-06-28	Kevin Wang	
B	CI90315	2019/03/14	Ruru	Modify Note & Change Logo

ALTW
 CONFIDENTIAL
 2019-03-14
 R&D DEPT.



Pin Assignments Front View Recommended Panel Cut-Out:



- Note:
- * Important Dimension
 - * Waterproof Rate: IP67, Unmated
 - * Housing: Thermoplastic, Black
 - * Pin: Copper Alloy, Gold Plated
 - * Nut: Thermoplastic, Black
 - * Gasket: Rubber, Gray
 - * Use with Waterproof Cap Or Dust Cap
Panel Thickness Max: 4.0mm
 - * Use without Waterproof Cap Or Dust Cap
Panel Thickness Max: 5.0mm
 - * Pin3 is deep then the other pins 0.5mm
 - * Gasket and Nut are packed separately in PE bags.

UNIT:mm TOLERANCE .X ±0.25 .XX ±0.1 .XXX ±0.05 ANGLES ±1°		TITLE Standard, Rear Lock 3P M Conn F Pin		<h1>Amphenol LTW</h1>		ITEM NO BD-03RMFS-LC7002	DRAWN BY Ruru	DATE 2019-03-14
		SCALE 3:2	SIZE A4	<h2>安費諾亮泰企業股份有限公司</h2>		DWG NO BD-03RMFS-LC7002	CHECKED BY Rita	DATE 2019-03-14
		REV. B	WC-REV. A.5	Inspection item		CUSTOMER ALTW	APPROVED BY Max	DATE 2019-03-14
								8 W10814-03-01A2

THIS DOCUMENT IS SUBJECT TO CHANGE WITHOUT NOTICE. IT IS CONFIDENTIAL AND A PROPERTY OF Amphenol LTW. DISCLOSURE TO THIRD PARTY HAS TO BE AUTHORIZED BY Amphenol LTW.