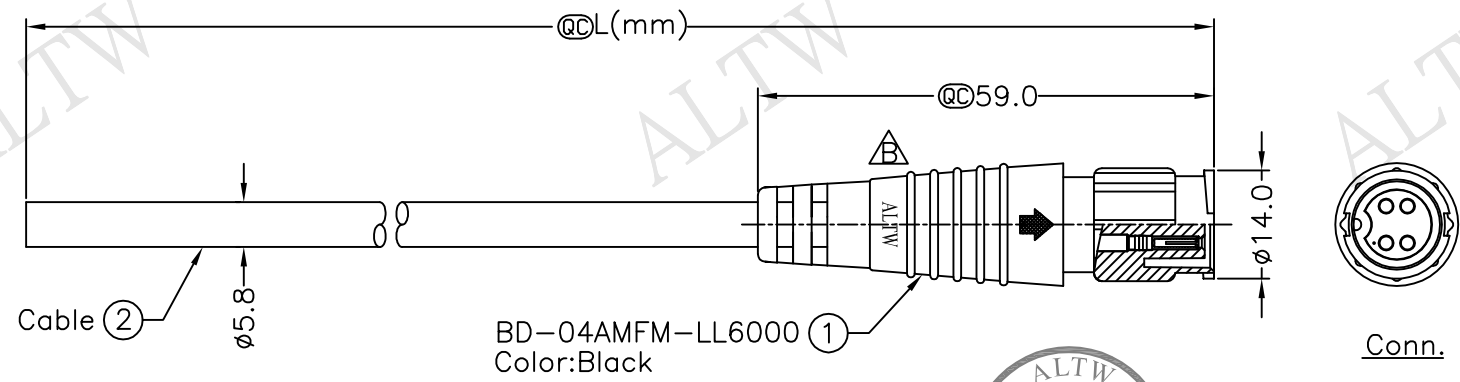
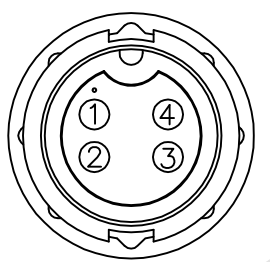


REV	ECN NO.	DATE	SIGN	DESCRIPTION
B	LEN1630038~041	2016/02/16	Ruru	Change Logo & Note

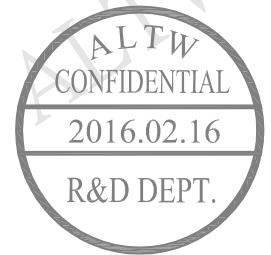
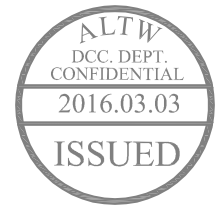


BD-04AMFM-LL6AXX
 XX:01~99Meter
 01:01Meter
 02:02Meters
 ...
 99:99Meters
 Cable Length(L):01~99Meters



Pin Assignments
Front View 前視圖

Yellow	黃	4
Red	紅	3
Green	綠	2
White	白	1
Wire Color		Conn.
Pin Out		



- Note:
- * @C Important Dimension.
 - * Waterproof Rate: IP66
 - * Housing: Nylon+GF, Black
 - * Female Pin: Copper Alloy, Gold Plated
 - * Cable: UL2464 24#*4C+Drain+Al/My, UV Resistant, OD=5.8mm, Black
 - * Cable Length Tolerance: 01M: ±40mm
 02M~05M: ±60mm
 06M~10M: ±100mm
 11M~30M: ±200mm
 31M~99M: ±500mm

UNIT:mm	
TOLERANCE	±0.5 mm

TITLE Standard,Cable Lock 4Pin M Conn F Pin	
SCALE 1:1	SHEET 1 OF 1
REV. B	SIZE A4
QC :Inspection Item	

Amphenol LTW
安費諾亮泰企業股份有限公司

ITEM NO	DRAWN BY Ruru
DWG NO BD-04AMFM-LL6AXX	CHECKED BY Rita
CUSTOMER ALTW	APPROVED BY Lisa

DATE 2016/02/16
DATE 2016/02/16
DATE 2016/02/16

THIS DOCUMENT IS SUBJECT TO CHANGE WITHOUT NOTICE. IT IS CONFIDENTIAL AND A PROPERTY OF Amphenol LTW. DISCLOSE TO THIRD PARTY HAS TO BE AUTHORIZED BY Amphenol LTW.