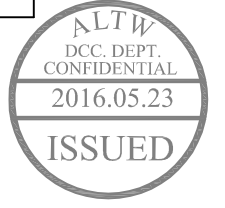
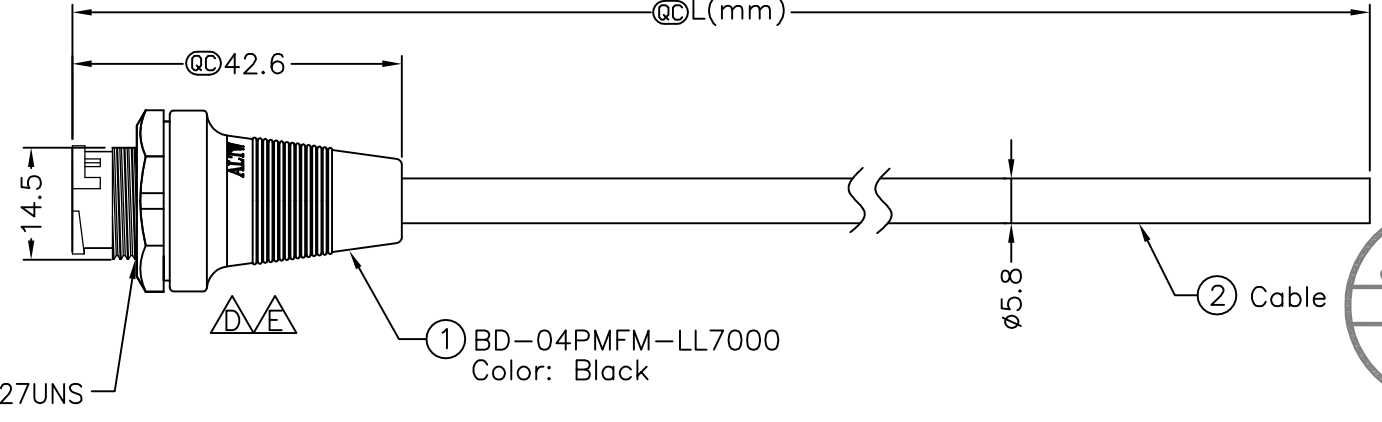
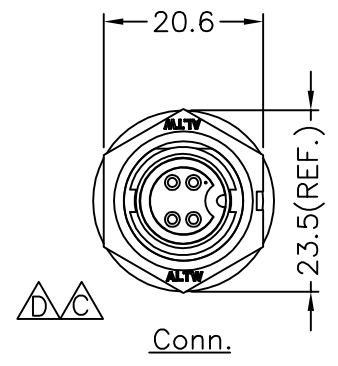


REV.	ECN NO.	DATE	SIGN.	DESCRIPTION
C	LEN-8C0125~128	2008/11/07	TOMMY	Change To Pin Hole
D	LEN1610443~446	2016/01/22	Ruru	Change Logo & Note
E	LEN1650419~422	2016/05/13	Ruru	Modify Logo Position

THIS DOCUMENT IS SUBJECT TO CHANGE WITHOUT NOTICE. IT IS CONFIDENTIAL AND A PROPERTY OF Amphenol LTW. DISCLOSURE TO THIRD PARTY HAS TO BE AUTHORIZED BY Amphenol LTW.

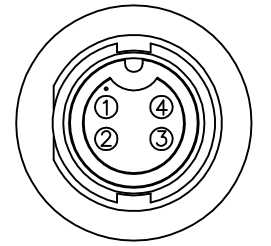
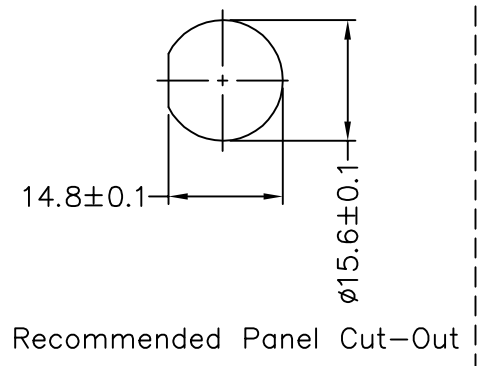


4	Yellow	黃
3	Red	紅
2	Green	綠
1	White	白
Conn.	Wire Color	



BD-04PMFM-LL7AXX
 XX:01~99Meter
 01:01Meter
 02:02Meters
 ...
 99:99Meters
 Cable Length(L):01~99Meters

- Note:
- * @C Important Dimensions To Check.
 - * Waterproof Rate: IP67
 - * Housing: Black,Nylon+GF
 - * Female Pin: Copper Alloy,Gold Plated
 - * Gasket: Black,EPDM
 - * Nut: Black,Nylon+GF
 - * Cable: UL2464 24AWG*4C+Drain+Al/My Black,PVC Jacket UV Resistant, OD=5.8
 - △* Use with waterproof cap or dust cap
Panel Thickness Max: 2.5mm
 - △* Use without waterproof cap or dust cap
Panel Thickness Max: 3.5mm
 - △* Cable Length Tolerance: 01M: ±40mm
02M~05M: ±60mm
06M~10M: ±100mm
11M~30M: ±200mm
31M~99M: ±500mm



UNIT:mm	
TOLERANCE	±0.5

TITLE Standard,Cable Lock 4Pin M Conn. F Pin	
SCALE Free	SHEET 1 OF 1
REV. E	SIZE A4
QC :Inspection Item	

Amphenol LTW
 安費諾亮泰企業股份有限公司

ITEM NO	
DWG NO	BD-04PMFM-LL7A <u>XX</u>
CUSTOMER	ALTW

DRAWN BY	Ruru
CHECKED BY	Rita
APPROVED BY	Lisa

DATE	2016/05/13
DATE	2016/05/13
DATE	2016/05/13