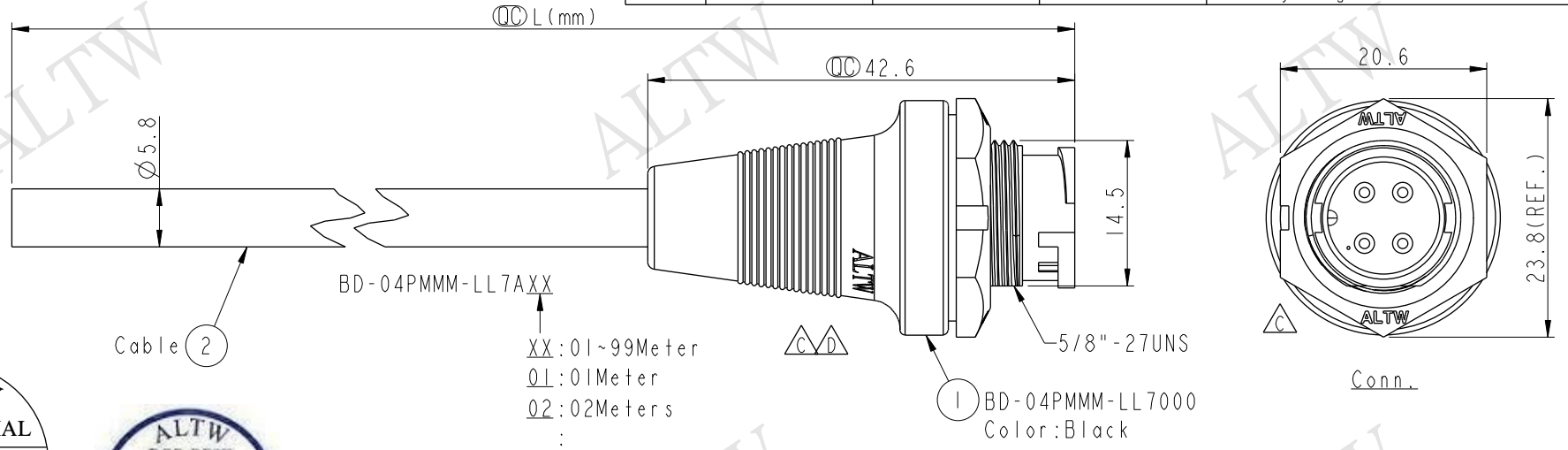


REV.	ECN NO.	DATE	SIGN	DESCRIPTION
B	LEN-8B0371-374	2008/09/19	Shin	Add Note
C	LEN15A0176-179	2015/09/25	Vicky	Update Logo & Note
D	LEN1650387-390	2016/05/13	Ruru	Modify Logo Position



Cable ②  
 BD-04PMMM-LL7AXX  
 XX: 01~99Meters  
 01: 01Meter  
 02: 02Meters  
 ...  
 99: 99Meters  
 Cable Length(L): 01~99Meters

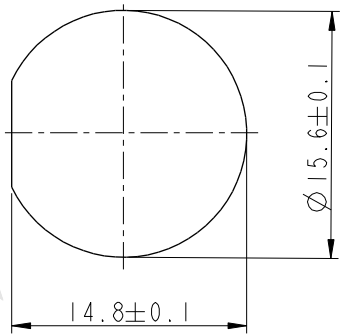
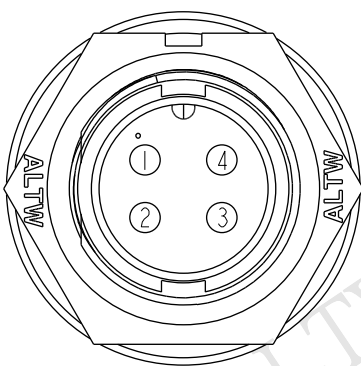
ALTW  
 CONFIDENTIAL  
 2016-05-13  
 R&D DEPT.

ALTW  
 DCC. DEPT.  
 CONFIDENTIAL  
 2016.05.23  
 ISSUED

Note:

- \* Ⓞ Important Dimensions To Check
- \* Waterproof Rate: IP67
- \* Housing: Nylon+GF, Black
- \* Male Pin: Copper Alloy, Gold Plated
- \* Cable: UL2464 24#\*4C+D+Al/My,UV, PVC Jacket, Black, OD=5.8mm

△\* Use with waterproof cap or dust cap  
 Panel Thickness Max: 2.5mm  
 △\* Use without waterproof cap or dust cap  
 Panel Thickness Max: 3.5mm  
 △\* Cable Length Tolerance: 1M:±40mm  
 2M~5M:±60mm  
 6M~10M:±100mm  
 11M~30M:±200mm  
 31M~99M:±500mm



4	Yellow	黃
3	Red	紅
2	Green	綠
1	White	白
Conn.	Wire Color	
	Pin Out	

UNIT:mm		TITLE	Standard	ITEM NO	DRAWN BY	DATE
TOLERANCE	±0.5 mm	Cable Lock 4Pin M Conn M Pin	Amphenol LTW	BD-04PMMM-LL7AXX	Ruru	2016-05-13
		SCALE 3:2	安費諾亮泰企業股份有限公司	CUSTOMER	APPROVED BY	DATE
		SIZE A4		ALTW	Lisa	2016-05-13
		SHEET 1 OF 1				
		REV. D	QC: Inspection item			
		WC-REV. A.1				

THIS DOCUMENT IS SUBJECT TO CHANGE WITHOUT NOTICE. IT IS CONFIDENTIAL AND A PROPERTY OF Amphenol LTW. DISCLOSURE TO THIRD PARTY HAS TO BE AUTHORIZED BY Amphenol LTW.