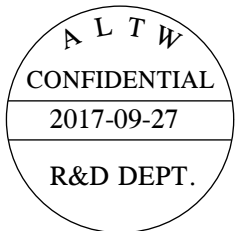
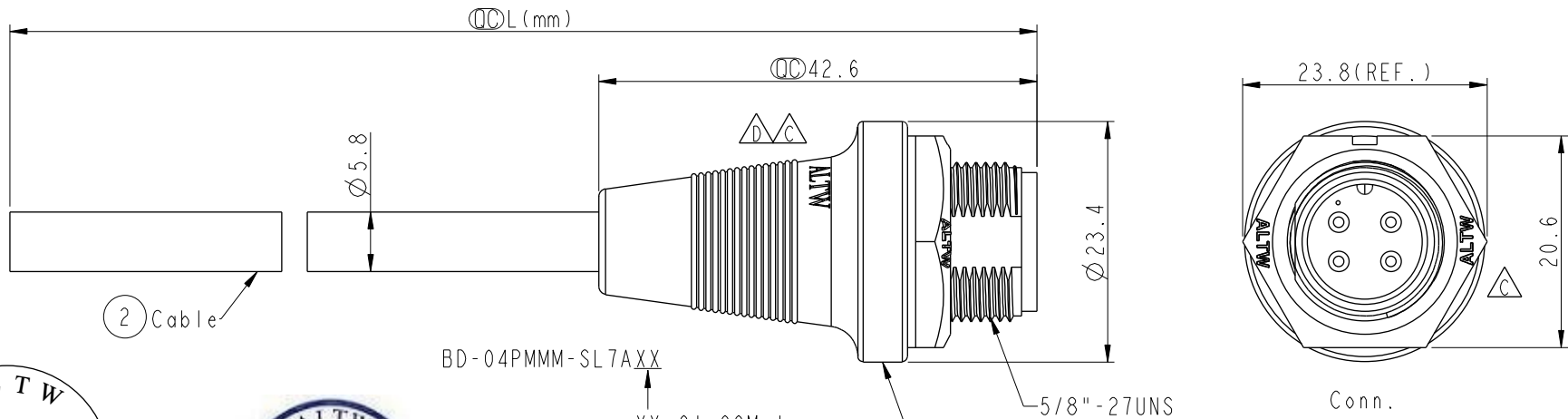


THIS DOCUMENT IS SUBJECT TO CHANGE WITHOUT NOTICE. IT IS CONFIDENTIAL AND A PROPERTY OF Amphenol LTW. DISCLOSURE TO THIRD PARTY HAS TO BE AUTHORIZED BY Amphenol LTW.

REV.	ECN NO.	DATE	SIGN	DESCRIPTION
B	LEN-8B0495-498	2008/09/19	Shin	Add Note
C	LEN15A0181-184	2015/09/25	Vicky	Update Logo & Note
D	LEN17A0012-015	2017/09/27	Ruru	Update View

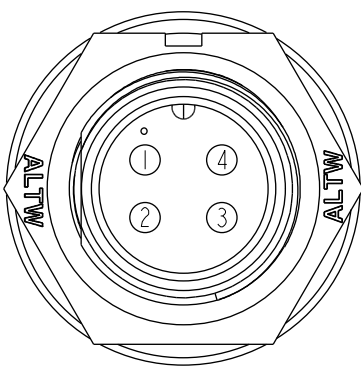


BD-04PMMM-SL7AXX
 XX: 01~99Meter
 01: 01Meter
 02: 02Meters
 ...
 99: 99Meters
 Cable Length(L): 01~99Meters

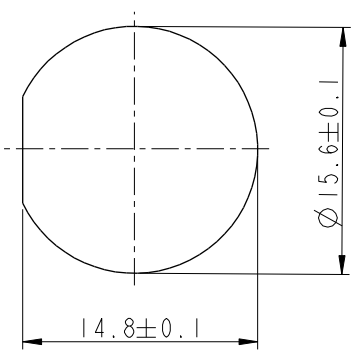
① BD-04PMMM-SL7000
 Color: Black

- Note:
- * CC Important Dimensions To Check
 - * Waterproof Rate: IP67
 - * Housing: Nylon+GF, Black
 - * Male Pin: Copper Alloy, Gold Plated
 - * Cable: UL2464 24#*4C+D+Al/My,UV, PVC Jacket, Black, OD=5.8mm

- $\triangle B$ * Use with waterproof cap or dust cap
Panel Thickness Max: 2.5mm
- $\triangle B$ * Use without waterproof cap or dust cap
Panel Thickness Max: 3.5mm
- $\triangle C$ * Cable Length Tolerance: 1M: ± 40 mm
2M~5M: ± 60 mm
6M~10M: ± 100 mm
11M~30M: ± 200 mm
31M~99M: ± 500 mm



Pin Assignments
Front View



Recommended Panel Cut-Out

4	Yellow	黃
3	Red	紅
2	Green	綠
1	White	白
Conn.	Wire Color	
	Pin Out	

UNIT:mm	
TOLERANCE	± 0.5 mm

TITLE Standard Cable Screw 4Pin M Conn M Pin			
SCALE 3:2	SIZE A4	SHEET 1 OF 1	
REV. D	WC-REV. A.1	CC : Inspection item	

Amphenol LTW
 安費諾亮泰企業股份有限公司

ITEM NO	DRAWN BY Ruru	DATE 2017-09-27
DWG NO BD-04PMMM-SL7AXX	CHECKED BY Rita	DATE 2017-09-27
CUSTOMER ALTW	APPROVED BY Max	DATE 2017-09-27