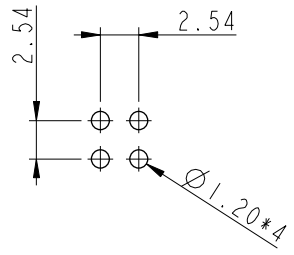
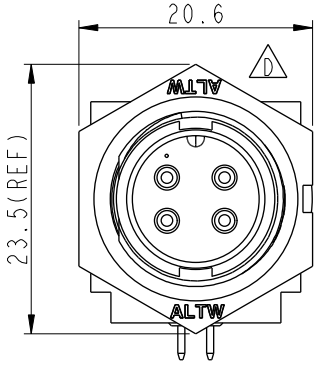
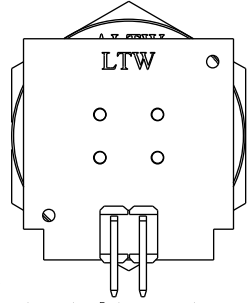
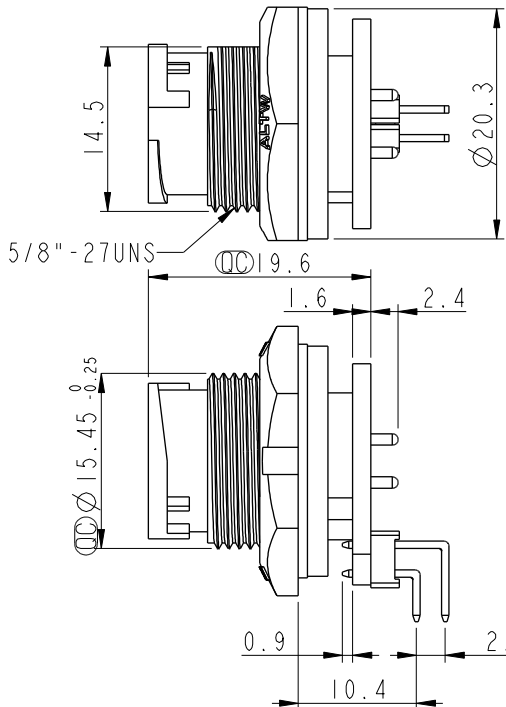
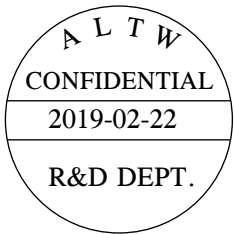


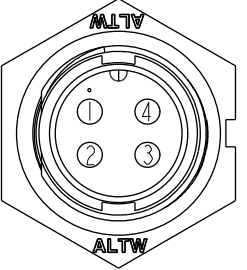
THIS DOCUMENT IS SUBJECT TO CHANGE WITHOUT NOTICE. IT IS CONFIDENTIAL AND A PROPERTY OF Amphenol LTW. DISCLOSURE TO THIRD PARTY HAS TO BE AUTHORIZED BY Amphenol LTW.

REV.	ECN NO.	DATE	SIGN	DESCRIPTION
C	LEN-8B0588	2008/10/30	Ivan	Update PCB layout tolerance
D	LEN1730305	2017/03/21	Ruru	Change Logo
E	CI90273	2019/02/22	Ruru	Modify Note

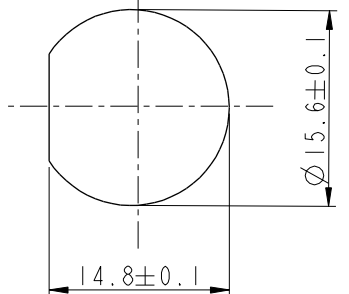


4 Pin Male Connector
Male Pin PCB Layout $\triangle C$

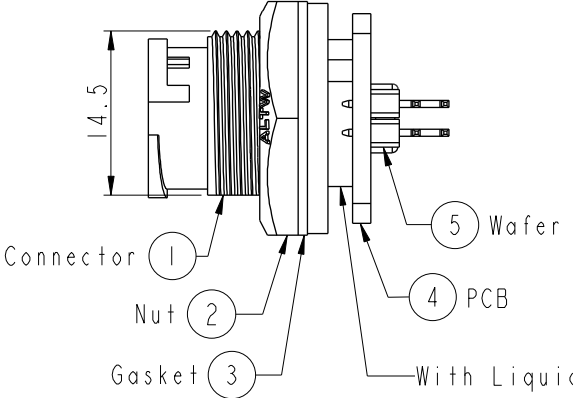
- Note: $\triangle A$
- * Ⓞ Important Dimension To Check.
 - * Waterproof Rate: IP67, Unmated
 - * Housing: Thermoplastic, Black
 - * Pin: Copper Alloy, Gold Plated
 - * Nut: Thermoplastic, Black
 - * Gasket: Rubber, Black
 - * PCB: FR4 EPOXY Glass
 - * Wafer: PH=2.54 雙排, 90°
- $\triangle A$ * Use With Waterproof Cap Or Dust Cap
Panel Thickness Max: 3.0mm
- $\triangle B$ * Use Without Waterproof Cap Or Dust Cap
Panel Thickness Max: 4.5mm
- * Gasket and Nut are packed separately in PE bags.



Pin Assignments
Front View



Recommended Panel Cut-out



UNIT:mm	Ⓞ	Ⓞ
TOLERANCE		
.X	±0.25	
.XX	±0.1	
.XXX	±0.05	
ANGLES	±1°	

TITLE Circular Panel Lock 4Pin M Conn M Pin For R/A			
SCALE 1:1	SIZE A4	SHEET 1 OF 1	
REV. E	WC-REV. A.4	Ⓞ : Inspection item	

Amphenol LTW
安費諾亮泰企業股份有限公司

ITEM NO BD-04PMMR-LC7001	DRAWN BY Ruru	DATE 2019-02-22
DWG NO BD-04PMMR-LC7001	CHECKED BY Rita	DATE 2019-02-22
CUSTOMER ALTW	APPROVED BY Max	DATE 2019-02-22