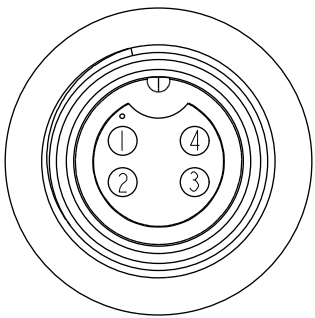
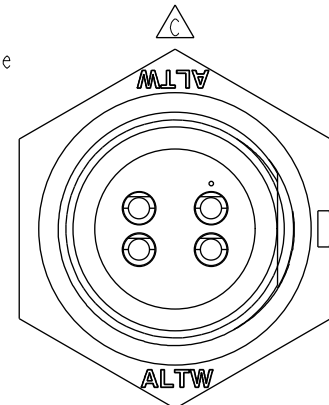
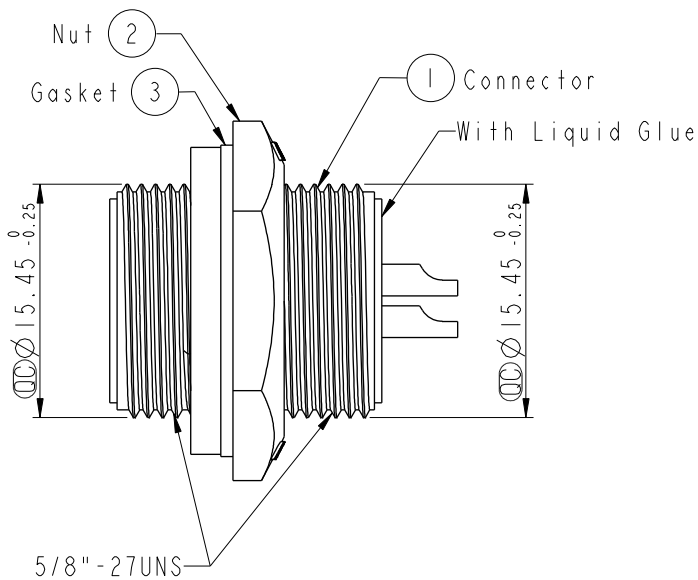
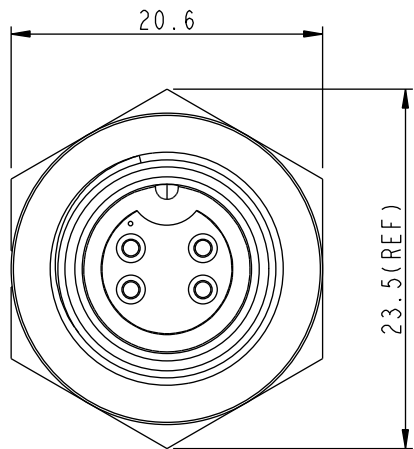
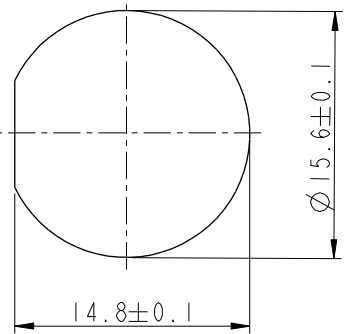


ALTW
 CONFIDENTIAL
 2019-02-22
 R&D DEPT.

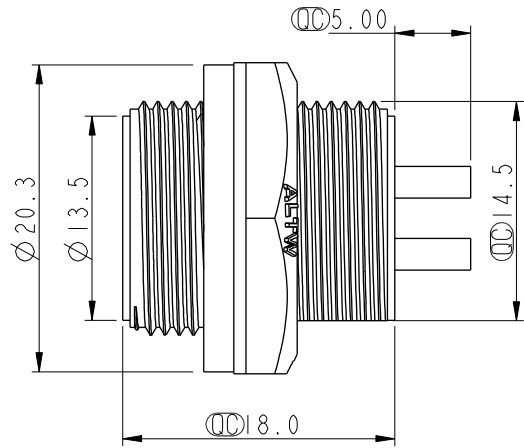
REV.	ECN NO.	DATE	SIGN	DESCRIPTION
B	LEN-8B0571	2008/09/10	Shin	Add Note
C	CI90273	2019/02/22	Ruru	Modify Note & Change Logo



Pin Assignments
 Front View



Recommended Panel Cut-out



- Note: \triangle
- * CC Important Dimension To Check.
 - * Waterproof Rate: IP67, Unmated
 - * Housing: Thermoplastic, Black
 - * Pin: Copper Alloy, Gold Plated
 - * Nut: Thermoplastic, Black
 - * Gasket: Rubber, Black
 - \triangle * Use With Waterproof Cap Or Dust Cap
 Panel Thickness Max: 4.0mm
 - \triangle * Use Without Waterproof Cap Or Dust Cap
 Panel Thickness Max: 5.0mm
 - * Gasket and Nut are packed separately in PE bags.

UNIT:mm		TITLE		ITEM NO	DRAWN BY	DATE
		Standard, Rear Screw 4P M Conn F Pin		BD-04RMFS-SC7001	Ruru	2019-02-22
TOLERANCE		SCALE	SIZE	DWG NO	CHECKED BY	DATE
.X ±0.25		2:1	A4	BD-04RMFS-SC7001	Rita	2019-02-22
.XX ±0.1	REV.	WC-REV.	SHEET	CUSTOMER	APPROVED BY	DATE
.XXX ±0.05	C	A.3	1 OF 1	ALTW	Max	2019-02-22
ANGLES ±1°	CC : Inspection item					

Amphenol LTW
 安費諾亮泰企業股份有限公司

THIS DOCUMENT IS SUBJECT TO CHANGE WITHOUT NOTICE. IT IS CONFIDENTIAL AND A PROPERTY OF Amphenol LTW. DISCLOSURE TO THIRD PARTY HAS TO BE AUTHORIZED BY Amphenol LTW.