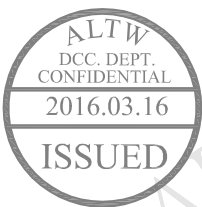
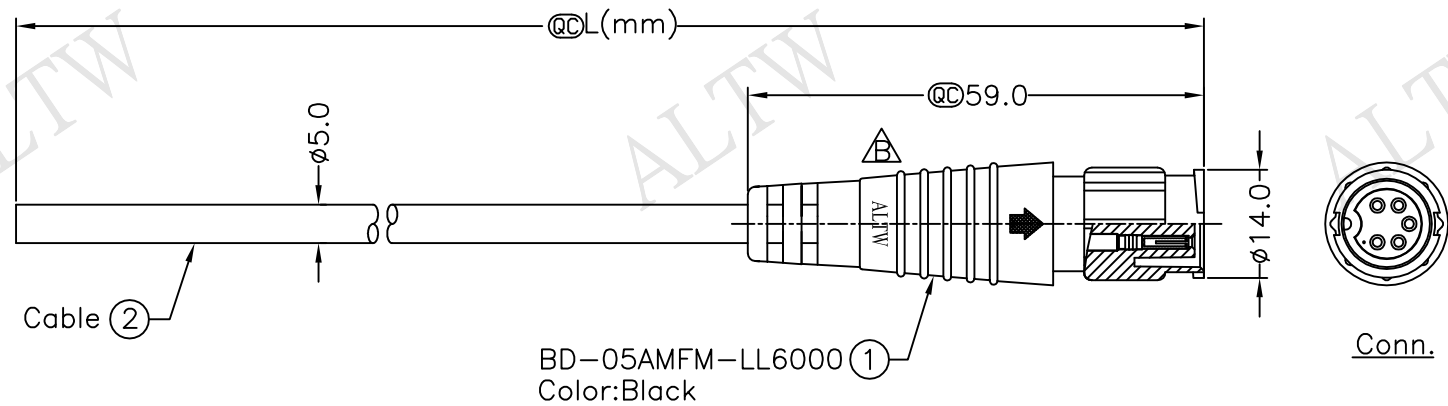
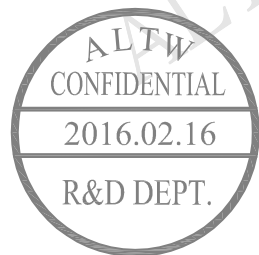


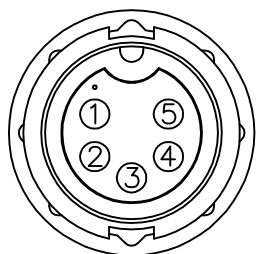
REV.	ECN NO.	DATE	SIGN	DESCRIPTION
B	LEN1630347~350	2016/02/16	Ruru	Change Logo & Note



BD-05AMFM-LL6AXX
 XX:01~99Meter
 01:01Meter
 02:02Meters
 ...
 99:99Meters
 Cable Length(L):01~99Meters



- Note:
- * @C Important Dimension.
 - * Waterproof Rate: IP66
 - * Housing: Nylon+GF, Black
 - * Female Pin: Copper Alloy, Gold Plated
 - * Cable: UL2464 24#*5C+Drain+Al/My, UV Resistant, OD=5.0mm, Black
 - * Cable Length Tolerance: 01M: ±40mm
 02M~05M: ±60mm
 06M~10M: ±100mm
 11M~30M: ±200mm
 31M~99M: ±500mm



Pin Assignments Front View 前視圖

Green	綠	5
White	白	4
Black	黑	3
Blue	藍	2
Brown	棕	1
Wire Color		Conn.
Pin Out		

UNIT:mm	
TOLERANCE	±0.5 mm

TITLE Standard,Cable Lock 5Pin M Conn F Pin	
SCALE 1:1	SHEET 1 OF 1
REV. B	SIZE A4
QC :Inspection Item	

Amphenol LTW
 安費諾亮泰企業股份有限公司

ITEM NO	DRAWN BY Ruru	DATE 2016/02/16
DWG NO BD-05AMFM-LL6AXX	CHECKED BY Rita	DATE 2016/02/16
CUSTOMER ALTW	APPROVED BY Lisa	DATE 2016/02/16

THIS DOCUMENT IS SUBJECT TO CHANGE WITHOUT NOTICE. IT IS CONFIDENTIAL AND A PROPERTY OF Amphenol LTW. DISCLOSURE TO THIRD PARTY HAS TO BE AUTHORIZED BY Amphenol LTW.

F
E
D
C
B
A

1 2 3 4 5 6 7 8