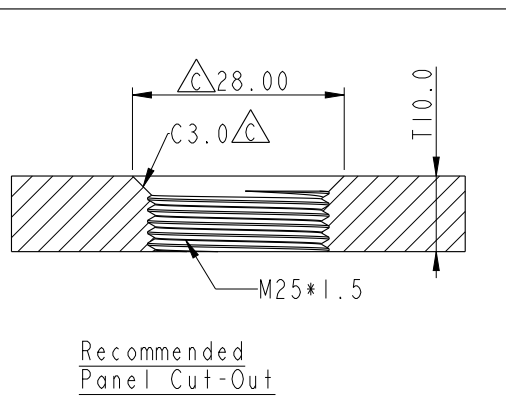
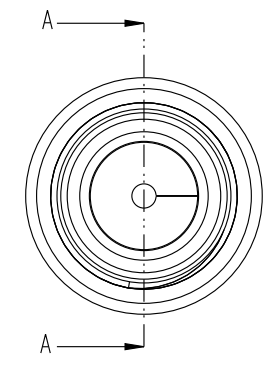
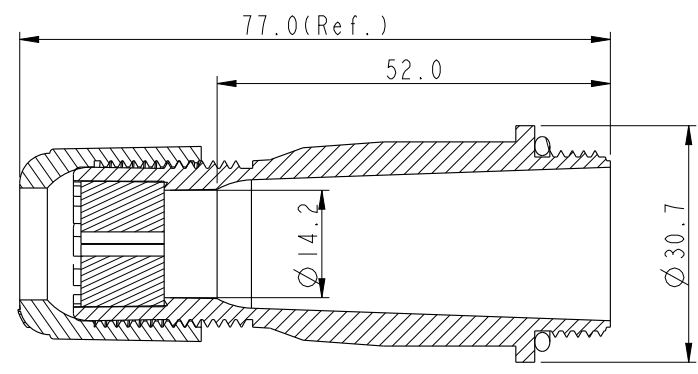
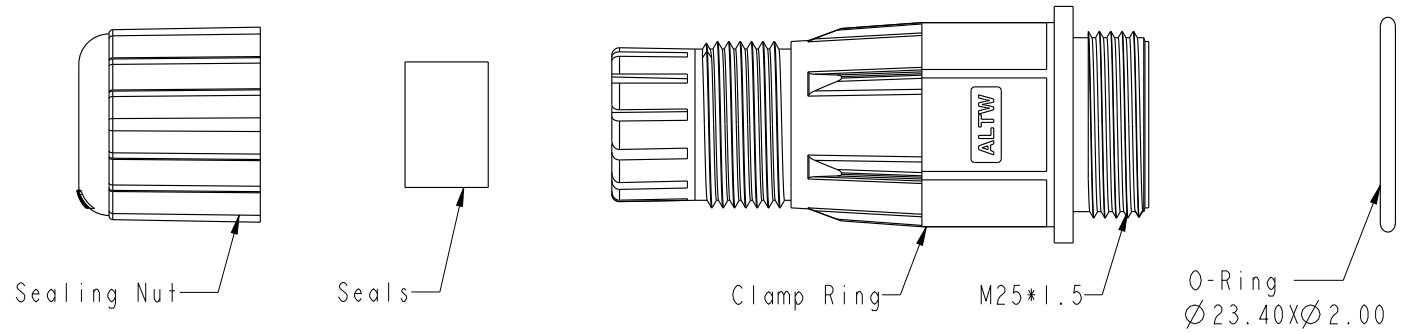


THIS DOCUMENT IS SUBJECT TO CHANGE WITHOUT NOTICE. IT IS CONFIDENTIAL AND A PROPERTY OF Amphenol LTW. DISCLOSURE TO THIRD PARTY HAS TO BE AUTHORIZED BY Amphenol LTW.

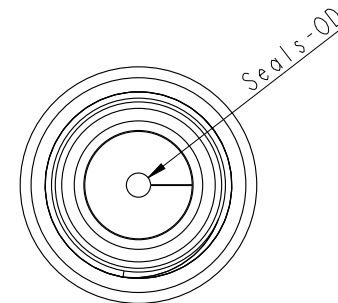
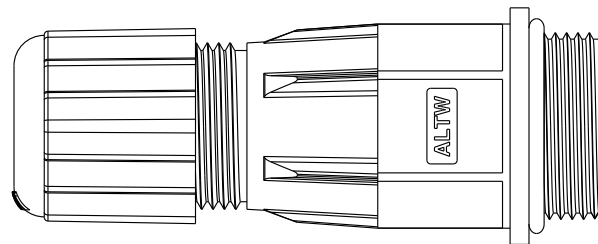
REV.	ECN NO.	DATE	SIGN	DESCRIPTION
B	C201849	2020-11-19	JC Chen	△B X2
C	C240211	2024-02-26	JC Chen	△C X8



- △ Notes:
- \* RoHS Compliant
  - \* Ⓞ Important Dimension.
  - \* Waterproof Rating: IP67, Mated 1M/30 Minutes.
  - \* Clamp Ring: Thermoplastic.
  - \* Seal Nut: Thermoplastic.
  - \* Seal: Rubber.
  - \* O-Ring: Rubber.
  - \* One set assembled in one pe bag.

A	UNIT:mm			TITLE	<h1 style="margin: 0;">Amphenol LTW</h1> <h2 style="margin: 0;">安費諾亮泰企業股份有限公司</h2>		ITEM NO	DRAWN BY	DATE
	TOLERANCE	±0.5		△ CABLE GLAND, M25, PC			DWG NO	CSL-25M0XX △	JC Chen
					SCALE	1:1	SIZE	A4	SHEET
				REV.	C	WC-REV.	A.2	Ⓞ: Inspection item	
								CUSTOMER	ALTW
								CHECKED BY	JC Chen
								APPROVED BY	Jerry
								DATE	2024-02-26

THIS DOCUMENT IS SUBJECT TO CHANGE WITHOUT NOTICE. IT IS CONFIDENTIAL AND A PROPERTY OF Amphenol LTW. DISCLOSURE TO THIRD PARTY HAS TO BE AUTHORIZED BY Amphenol LTW.

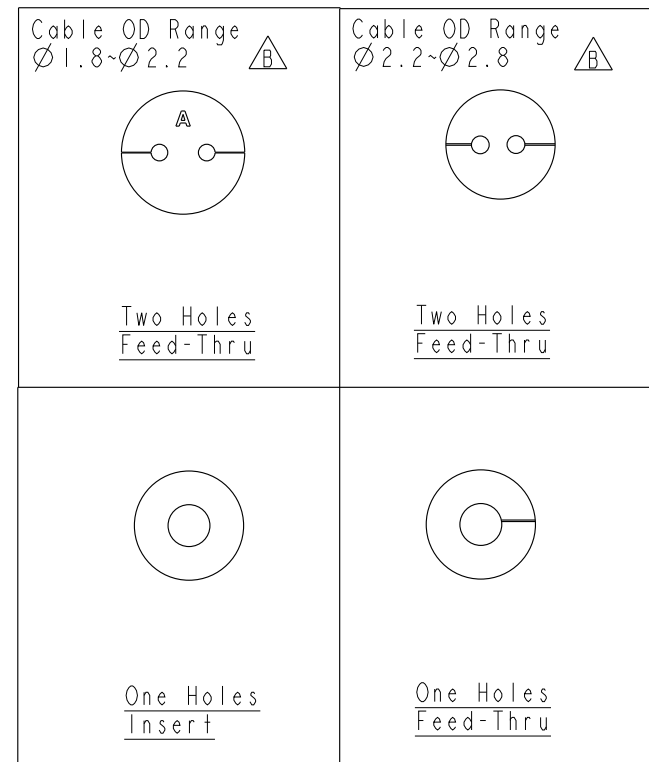


CSL-25M0XX

01:OD=2.6 Color Black  
02:OD=2.6 Color Grey

11:OD=12.6 Color Black  
12:OD=12.6 Color Grey

No.	Part Number	Thread Style	Holes	Cable OD Range	Color	Note
1	CSL-25M001	M25	1	∅1.5~∅2.6	Black	Feed-Thru
2	CSL-25M002	M25	1	∅1.5~∅2.6	Gray	Feed-Thru
3	CSL-25M003	M25	1	∅2.0~∅3.2	Black	Feed-Thru
4	CSL-25M004	M25	1	∅2.0~∅3.2	Gray	Feed-Thru
5	CSL-25M005	M25	2	∅1.8~∅2.8	Black	Feed-Thru
6	CSL-25M006	M25	2	∅1.8~∅2.8	Gray	Feed-Thru
7	CSL-25M007	M25	1	∅5.0~∅7.0	Black	Feed-Thru
8	CSL-25M008	M25	1	∅5.0~∅7.0	Gray	Feed-Thru
9	CSL-25M009	M25	1	∅6.5~∅9.0	Black	Feed-Thru
10	CSL-25M010	M25	1	∅6.5~∅9.0	Gray	Feed-Thru
11	CSL-25M011	M25	1	∅10.0~∅12.6	Black	Insert
12	CSL-25M012	M25	1	∅10.0~∅12.6	Gray	Insert



UNIT: mm

TOLERANCE  $\pm 0.5$

TITLE  $\triangle C$  CABLE GLAND, M25, PC

SCALE 1:1	SIZE A4	SHEET 2 OF 2
REV. C	WC-REV. A.2	Inspection item

**Amphenol LTW**  
安費諾亮泰企業股份有限公司

ITEM NO	DRAWN BY	DATE
DWG NO	CHECKED BY	DATE
CUSTOMER	APPROVED BY	DATE

CSL-25M0XX  $\triangle C$

ALTW