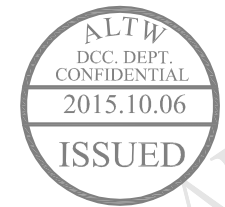
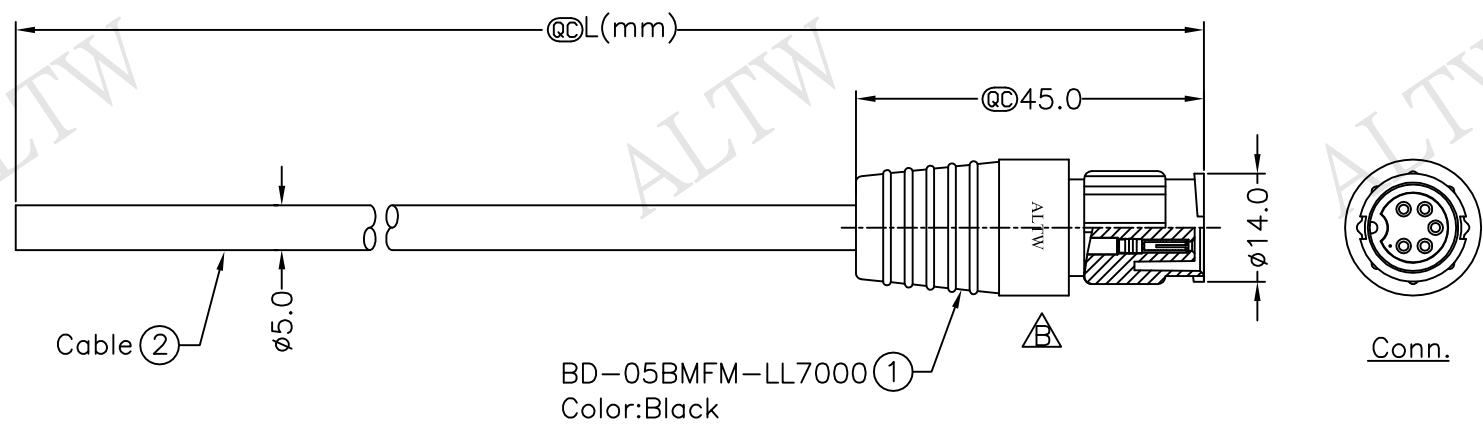
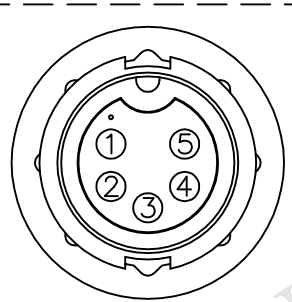


REV.	ECN NO.	DATE	SIGN	DESCRIPTION
B	LEN1590441~44	2015/09/11	Ruru	Change Logo & Note



BD-05BMFM-LL7AXX  
 XX:01~99Meter  
 01:01Meter  
 02:02Meters  
 ...  
 99:99Meters  
 Cable Length(L):01~99Meters

- Note:
- \* @C Important Dimension.
  - \* Waterproof Rate: IP67
  - \* Housing: Nylon+GF, Black
  - \* Female Pin: Copper Alloy, Gold Plated
  - \* Cable: UL2464 24#\*5C+Drain+Al/My, UV Resistant ,OD=5.0mm, Black
  - \* Cable Length Tolerance: 01M: ±40mm  
 02M~05M: ±60mm  
 06M~10M: ±100mm  
 11M~30M: ±200mm  
 31M~99M: ±500mm



Green	綠	5
White	白	4
Black	黑	3
Blue	藍	2
Brown	棕	1
Wire Color		Conn.
Pin Out		

Pin Assignments Front View 前視圖

UNIT:mm		TITLE Standard,Cable Lock 5Pin M Conn F Pin
TOLERANCE ±0.5 mm	SCALE Free	SHEET 1 OF 1
REV. B	SIZE A4	@C :Inspection Item

**Amphenol LTW**  
 安費諾亮泰企業股份有限公司

ITEM NO	DRAWN BY Ruru	DATE 2015/09/11
DWG NO BD-05BMFM-LL7AXX	CHECKED BY Rita	DATE 2015/09/11
CUSTOMER ALTW	APPROVED BY Lion	DATE 2015/09/11

THIS DOCUMENT IS SUBJECT TO CHANGE WITHOUT NOTICE. IT IS CONFIDENTIAL AND A PROPERTY OF Amphenol LTW. DISCLOSURE TO THIRD PARTY HAS TO BE AUTHORIZED BY Amphenol LTW.

1 2 3 4 5 6 7 8