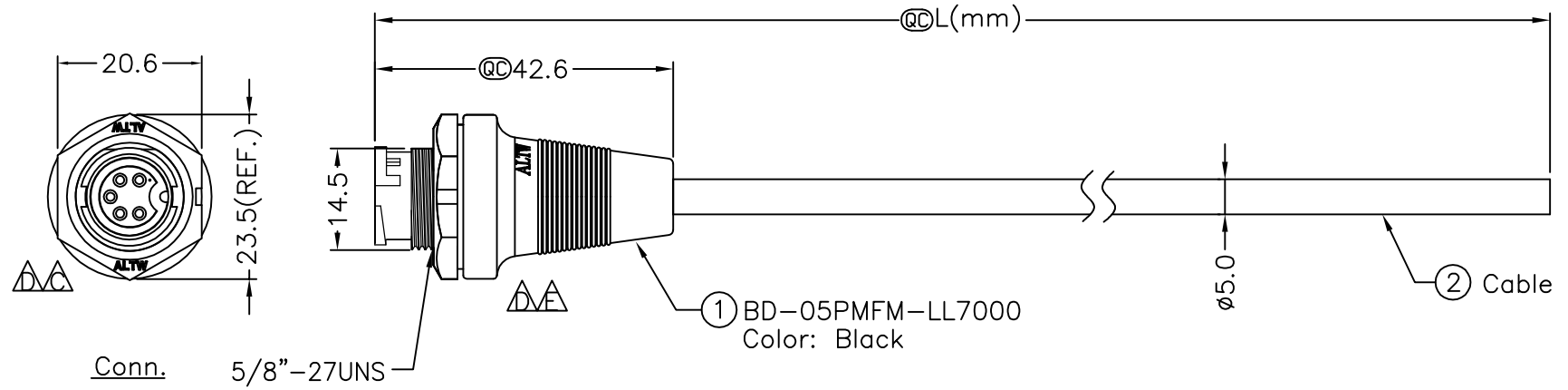
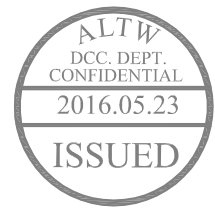


REV.	ECN NO.	DATE	SIGN	DESCRIPTION
C	LEN-8C0119~122	2008/11/07	Ivan	Change to pin hole
D	LEN1610438~441	2016/01/21	Ruru	Change Logo & Note
E	LEN1650423~426	2016/05/13	Ruru	Modify Logo Position

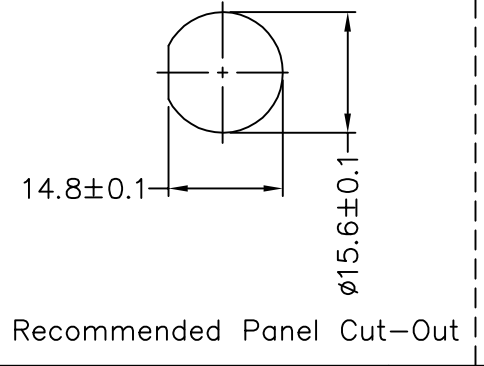
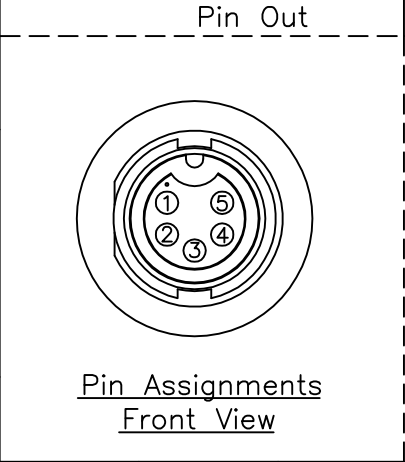


5	Green	綠
4	White	白
3	Black	黑
2	Blue	藍
1	Brown	棕
Conn.	Wire Color	



BD-05PMFM-LL7AXX
 ↑
 XX:01~99Meter
 01:01Meter
 02:02Meters
 :
 :
 99:99Meters
 Cable Length(L):01~99Meters

- Note:
- * @C Important Dimensions To Check.
 - * Waterproof Rate: IP67
 - * Housing: Black,Nylon+GF
 - * Female Pin: Copper Alloy,Gold Plated
 - * Gasket: Black,EPDM
 - * Nut: Black,Nylon+GF
 - * Cable: UL2464 24AWG*5C+Drain+Al/My Black,PVC Jacket UV Resistant, OD=5.0
 - △* Use with waterproof cap or dust cap
Panel Thickness Max: 2.5mm
 - △* Use without waterproof cap or dust cap
Panel Thickness Max: 3.5mm
 - △* Cable Length Tolerance: 01M: ±40mm
02M~05M: ±60mm
06M~10M: ±100mm
11M~30M: ±200mm
31M~99M: ±500mm



UNIT:mm		TITLE
TOLERANCE	±0.5	Standard,Cable Lock 5Pin M Conn. F Pin
SCALE	Free	SHEET 1 OF 1
REV. E	SIZE A4	@C :Inspection Item

Amphenol LTW
 安費諾亮泰企業股份有限公司

ITEM NO	DRAWN BY	DATE
DWG NO	CHECKED BY	DATE
CUSTOMER	APPROVED BY	DATE
	Ruru	2016/05/13
BD-05PMFM-LL7AXX	Rita	2016/05/13
ALTW	Lisa	2016/05/13

THIS DOCUMENT IS SUBJECT TO CHANGE WITHOUT NOTICE. IT IS CONFIDENTIAL AND A PROPERTY OF Amphenol LTW. DISCLOSURE TO THIRD PARTY HAS TO BE AUTHORIZED BY Amphenol LTW.