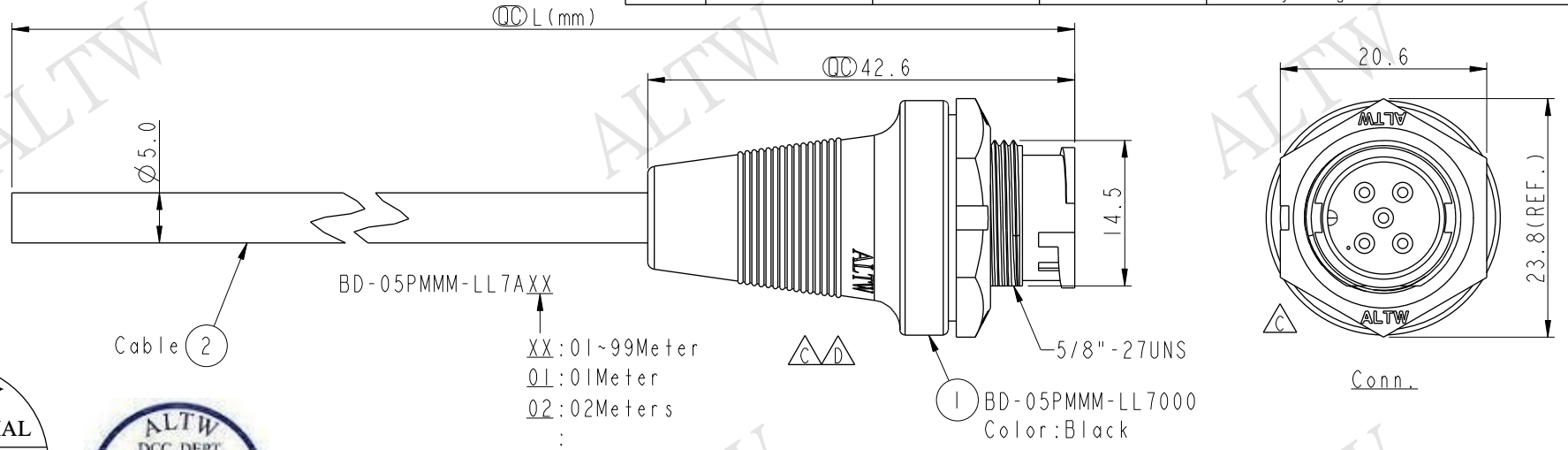


THIS DOCUMENT IS SUBJECT TO CHANGE WITHOUT NOTICE. IT IS CONFIDENTIAL AND A PROPERTY OF Amphenol LTW. DISCLOSURE TO THIRD PARTY HAS TO BE AUTHORIZED BY Amphenol LTW.

REV.	ECN NO.	DATE	SIGN	DESCRIPTION
B	LEN-8B0377-380	2008/09/19	Shin	Add Note
C	LEN15A0186-189	2015/09/25	Vicky	Update Logo & Note
D	LEN1650393-396	2016/05/13	Ruru	Modify Logo Position

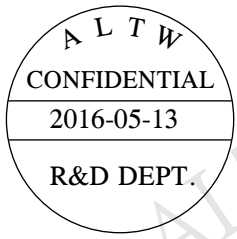


Cable ②

BD-05PMMM-LL7AXX

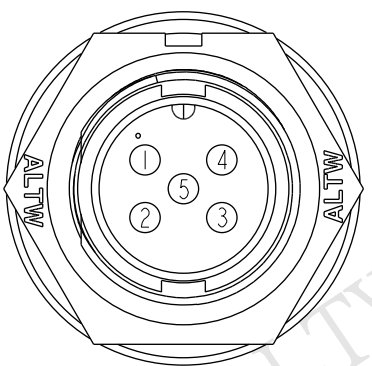
XX: 01-99Meters
 01: 01Meter
 02: 02Meters
 ...
 99: 99Meters
 Cable Length(L): 01-99Meters

① BD-05PMMM-LL7000
 Color: Black

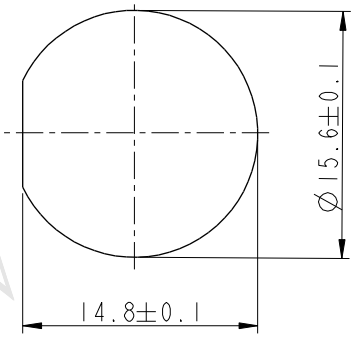


Note:

- * Ⓞ Important Dimensions To Check
- * Waterproof Rate: IP67
- * Housing: Nylon+GF, Black
- * Male Pin: Copper Alloy, Gold Plated
- * Cable: UL2464 24#*5C+D+Al/My,UV, PVC Jacket, Black, OD=5.0mm
- Ⓐ* Use with waterproof cap or dust cap
Panel Thickness Max: 2.5mm
- Ⓑ* Use without waterproof cap or dust cap
Panel Thickness Max: 3.5mm
- Ⓒ* Cable Length Tolerance: 1M:±40mm
2M~5M:±60mm
6M~10M:±100mm
11M~30M:±200mm
31M~99M:±500mm



Pin Assignments Front View



Recommended Panel Cut-Out

5	Green	綠
4	White	白
3	Black	黑
2	Blue	藍
1	Brown	棕
Conn.	Wire Color	
	Pin Out	

UNIT:mm	
TOLERANCE	±0.5 mm

TITLE Standard Cable Lock 5Pin M Conn M Pin			
SCALE 3:2	SIZE A4	SHEET 1 OF 1	
REV. D	WC-REV. A.1	Ⓞ: Inspection item	

Amphenol LTW
 安費諾亮泰企業股份有限公司

ITEM NO	DRAWN BY	DATE
DWG NO BD-05PMMM-LL7AXX	Ruru	2016-05-13
CUSTOMER	CHECKED BY	DATE
ALTW	Rita	2016-05-13
	APPROVED BY	DATE
	Lisa	2016-05-13