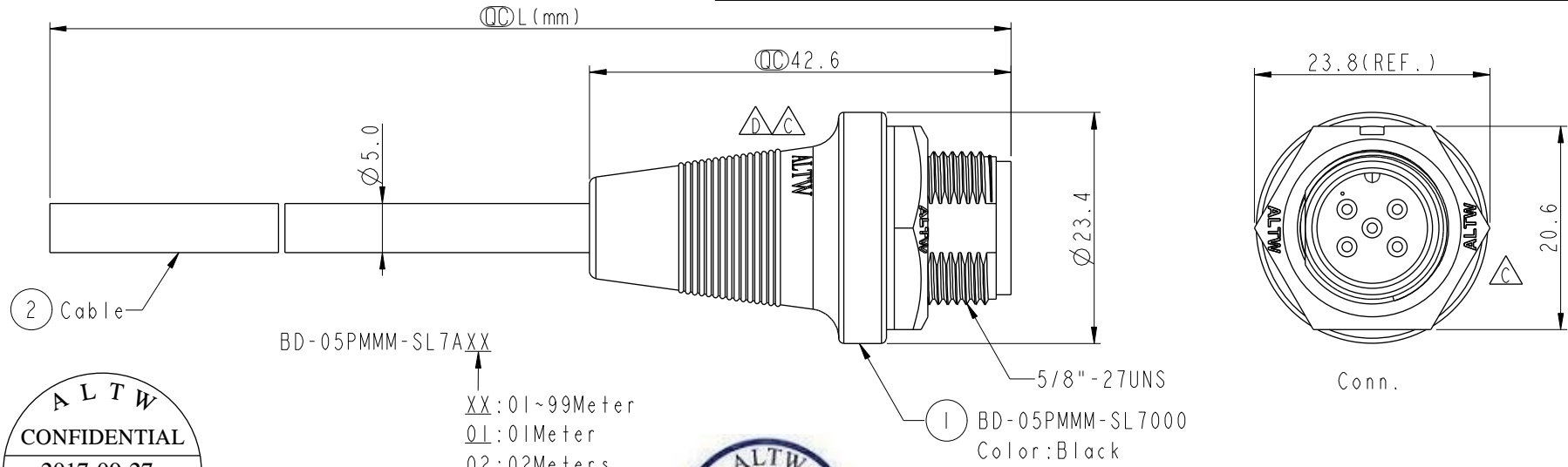
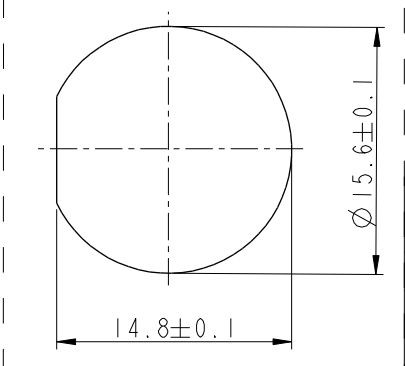
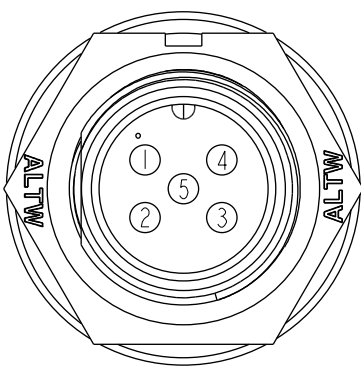


REV.	ECN NO.	DATE	SIGN	DESCRIPTION
B	LEN-8B0502-505	2008/09/19	Shin	Add Note
C	LEN15A0191-194	2015/09/25	Vicky	Update Logo & Note
D	LEN17A0016-019	2017/09/27	Ruru	Update View



ALTW
 CONFIDENTIAL
 2017-09-27
 R&D DEPT.

ALTW
 DCC. DEPT.
 CONFIDENTIAL
 2017.10.02
 ISSUED



5	Green	綠
4	White	白
3	Black	黑
2	Blue	藍
1	Brown	棕
Conn.	Wire Color	
	Pin Out	

Note:

- * ⌀ Important Dimensions To Check
- * Waterproof Rate: IP67
- * Housing: Nylon+GF, Black
- * Male Pin: Copper Alloy, Gold Plated
- * Cable: UL2464 24#*5C+D+Al/My,UV, PVC Jacket, Black, OD=5.0mm

△* Use with waterproof cap or dust cap
 Panel Thickness Max: 2.5mm

△* Use without waterproof cap or dust cap
 Panel Thickness Max: 3.5mm

△* Cable Length Tolerance: 1M: ±40mm
 2M~5M: ±60mm
 6M~10M: ±100mm
 11M~30M: ±200mm
 31M~99M: ±500mm

A	UNIT:mm	⌀ ⌀	TITLE Standard Cable Screw 5Pin M Conn M Pin		ITEM NO	DRAWN BY Ruru	DATE 2017-09-27
	TOLERANCE ±0.5 mm		SCALE 3:2	SIZE A4	DWG NO BD-05PMMM-SL7AXX	CHECKED BY Rita	DATE 2017-09-27
			REV. D	WC-REV. A.1	CUSTOMER ALTW	APPROVED BY Max	DATE 2017-09-27
							8 W10814-03-0101A1

Amphenol LTW
 安費諾亮泰企業股份有限公司

THIS DOCUMENT IS SUBJECT TO CHANGE WITHOUT NOTICE. IT IS CONFIDENTIAL AND A PROPERTY OF Amphenol LTW. DISCLOSURE TO THIRD PARTY HAS TO BE AUTHORIZED BY Amphenol LTW.