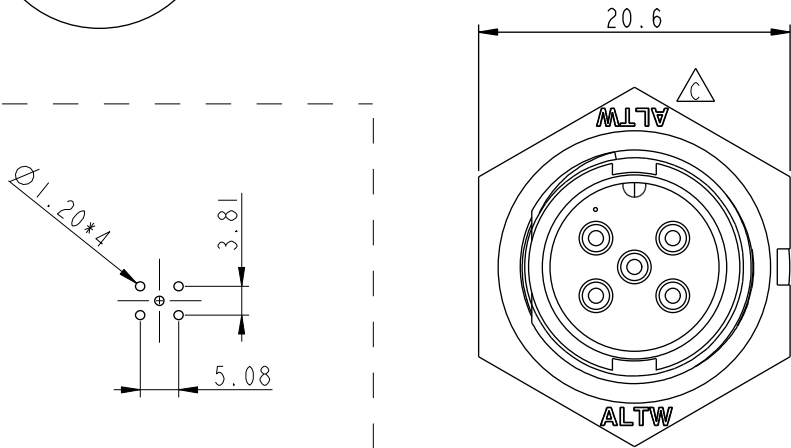
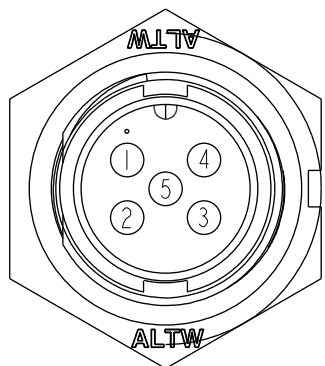
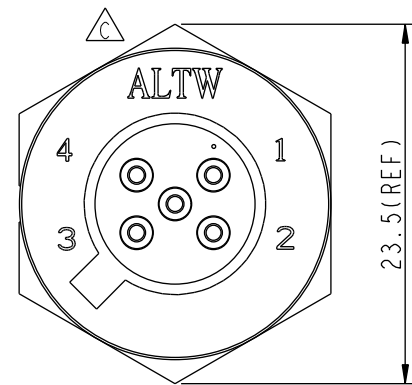
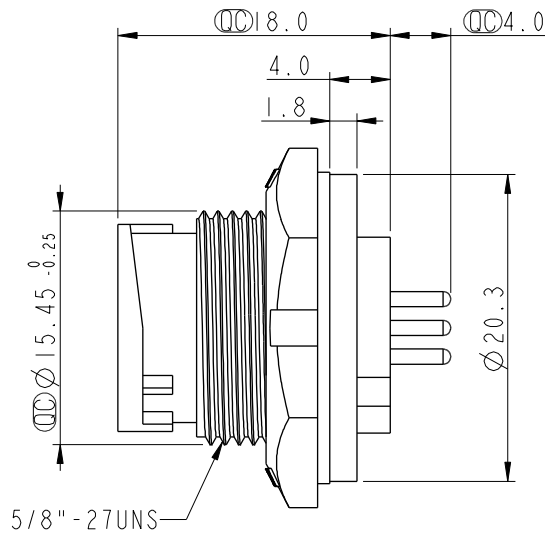


ALTW  
 CONFIDENTIAL  
 2019-02-23  
 R&D DEPT.

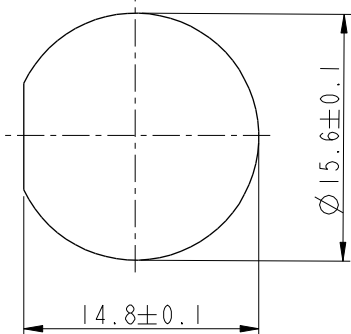
REV.	ECN NO.	DATE	SIGN	DESCRIPTION
B	LEN-8B0381	2008/09/17	Shin	Add Note
C	LEN1530185	2014/12/19	Ruru	Change Logo
D	CI90273	2019/02/23	Ruru	Modify Note



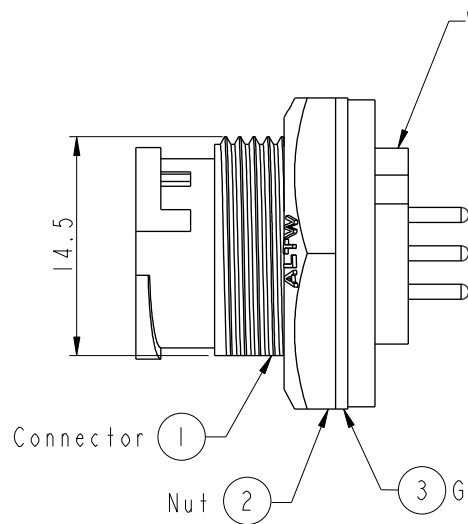
5 Pin Male Connector  
 Male Pin PCB Layout



Pin Assignments  
 Front View



Recommended Panel Cut-out



- Note:  $\triangle$ D
- \*  $\text{CC}$  Important Dimension To Check.
  - \* Waterproof Rate: IP67, Unmated
  - \* Housing: Thermoplastic, Black
  - \* Pin: Copper Alloy, Gold Plated
  - \* Nut: Thermoplastic, Black
  - \* Gasket: Rubber, Black

- $\triangle$ B\* Use With Waterproof Cap Or Dust Cap  
 Panel Thickness Max: 3.0mm
- $\triangle$ B\* Use Without Waterproof Cap Or Dust Cap  
 Panel Thickness Max: 4.5mm
- \* Gasket and Nut are packed separately in PE bags.

UNIT: mm

TOLERANCE	
.X	±0.25
.XX	±0.1
.XXX	±0.05
ANGLES	±1°

TITLE Standard Panel Lock 5Pin M Conn M Pin			
SCALE 2:1	SIZE A4	SHEET 1 OF 1	
REV. D	WC-REV. A.2	$\text{CC}$ : Inspection item	

**Amphenol LTW**  
 安費諾亮泰企業股份有限公司

ITEM NO. BD-05PMMP-LC7001	DRAWN BY Ruru	DATE 2019-02-23
DWG NO. BD-05PMMP-LC7001	CHECKED BY Rita	DATE 2019-02-23
CUSTOMER ALTW	APPROVED BY Max	DATE 2019-02-23

THIS DOCUMENT IS SUBJECT TO CHANGE WITHOUT NOTICE. IT IS CONFIDENTIAL AND A PROPERTY OF Amphenol LTW. DISCLOSURE TO THIRD PARTY HAS TO BE AUTHORIZED BY Amphenol LTW.